



# YAMAHA

# YZ100F/125F

# SUPPLEMENTARY ASSEMBLY MANUAL



[www.legends-yamaha-enduros.com](http://www.legends-yamaha-enduros.com)

## FOREWORD

This supplementary Assembly Manual for YZ100F/YZ125F has been published to supplement the Assembly Manual for YZ100E/YZ125E. For complete information on assembly procedures, it is necessary to use this Supplementary Assembly Manual together with the Assembly Manual for the YZ100E/YZ125E (90890-07744) (LIT-11666-00-87).

## NOTICE

The service specifications given in this Assembly Manual are based on the model as manufactured. If the design of this model is modified, the service specifications may be subject to change in the future.

If any significant change is introduced into the specifications or service procedure, Yamaha dealers will be notified through technical service information to be published by Yamaha.

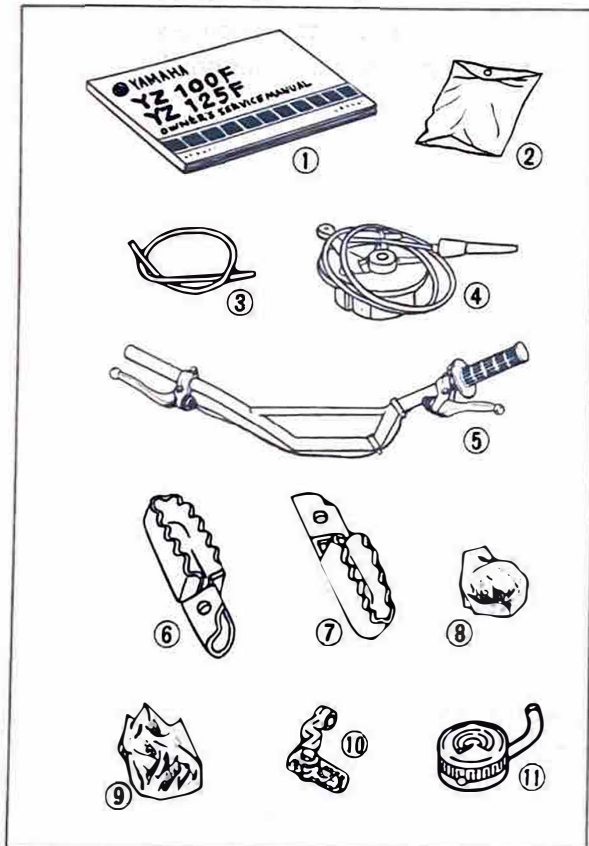
The assembly procedure is described in the order that the mechanic should follow, and the correct service tools should be used in the correct and professional manner. For this reason, this manual is directed only to trained and experienced Yamaha service personnel. Failure to correctly assemble and service this machine could lead to damage to the machine and possible injury to its operator.

**YAMAHA YZ100F/YZ125F  
SUPPLEMENTARY ASSEMBLY MANUAL  
1st EDITION, JULY 1978  
OVERSEAS SERVICE DEPARTMENT  
YAMAHA MOTOR CO., LTD.  
IWATA, JAPAN  
LIT-11666-01-35**

# PARTS CHECK LIST

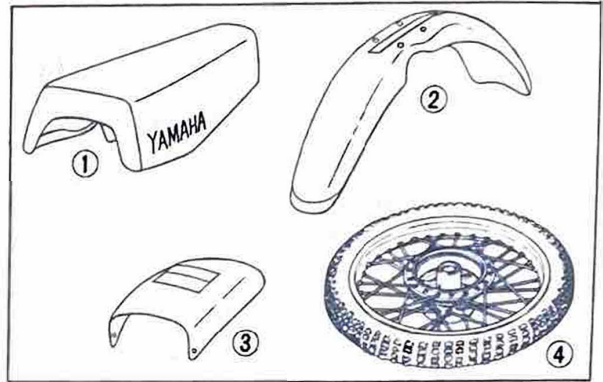
## Parts List: Foam tray

No.	Part name	Q'ty
1	Owner's manual	1
2	Tool kit	1
3	Fuel tank breather hose	1
4	Brake shoe plate Ass'y	1
5	Handlebar Ass'y	1
6	Footrest (Right) (Only for YZ100F)	1
7	Footrest (Left) (Only for YZ100F)	1
8	Vinyl bag "1"	1
9	Vinyl bag "2"	1
10	Footrest (Right)(Only for YZ125F)	1
11	Air check gauge (Only for YZ125F)	1



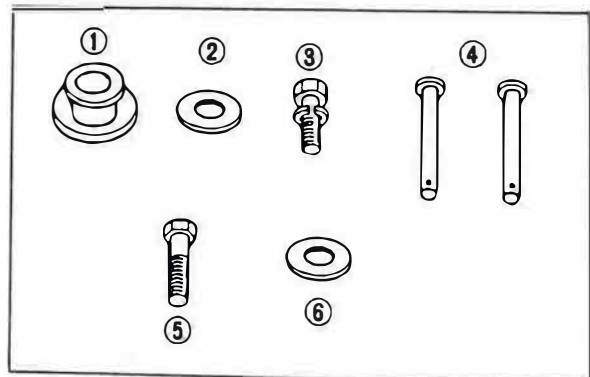
## Parts List: Carton box

No.	Part name	Q'ty
1	Semi double seat	1
2	Front fender	1
3	Rear fender	1
4	Front wheel Ass'y	1



## Parts List: Vinyl bag "1"

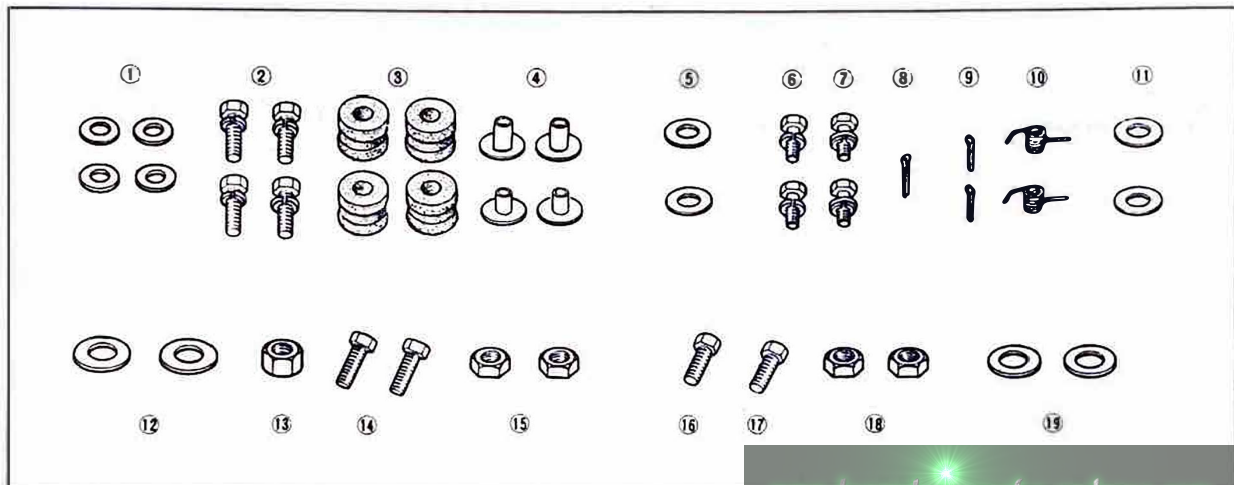
No.	Part name	Q'ty	Remarks
1	Collar	1	Front wheel
2	Plate washer	1	Rear fender
3	Bolt with washer	1	
4	Clevis pin (Only for YZ100F)	2	Footrest
5	Bolt (Only for YZ125F)	1	Footrest
6	Plate washer (Only for YZ125F)	1	



Parts List: Vinyl bag "2"

No.	Part name	Q'ty	Remarks
1	Plate washer	4	Front fender
2	Bolt with washer	4	
3	Damper	4	
4	Collar	4	
5	Plate washer	2	Rear fender (Only for YZ100F)
6	Bolt with washer	2	Seat (Only for YZ100F)
7	Bolt with washer	2	
8	Cotter pin	1	Front wheel

9	Cotter pin	2	Footrest (Only for YZ100F)
10	Torsion spring	2	
11	Plate washer	2	
12	Plate washer	2	Rear fender (Only for YZ125F)
13	Nut	1	
14	Bolt	2	
15	U. Nut	2	Seat (Only for YZ125F)
16	Bolt	1	
17	Bolt	1	
18	U. Nut	2	
19	Plate washer	2	

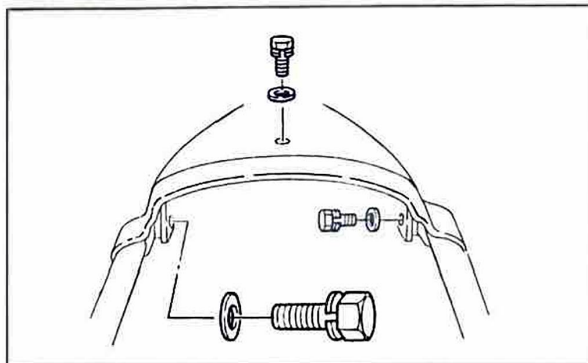


[www.legends-yamaha-enduros.com](http://www.legends-yamaha-enduros.com)

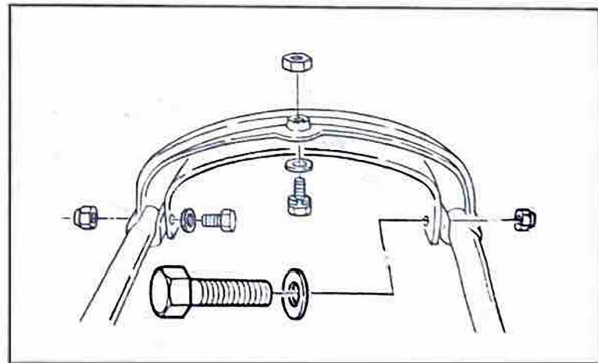
(PAGE 8 ~ 9)

20. Install the rear fender using the bolt with washers and plate washers. (YZ100F)  
Install the rear fender using the bolt with washer, plate washer, nut and bolts, plate washers, U. nuts. (YZ125F)

YZ100F



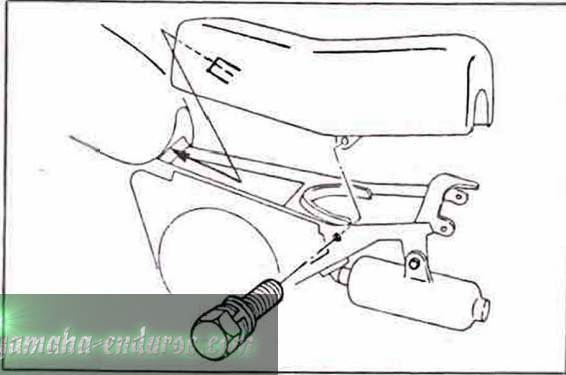
YZ125F



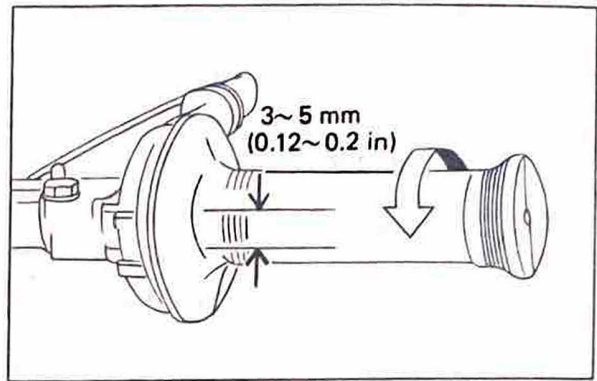
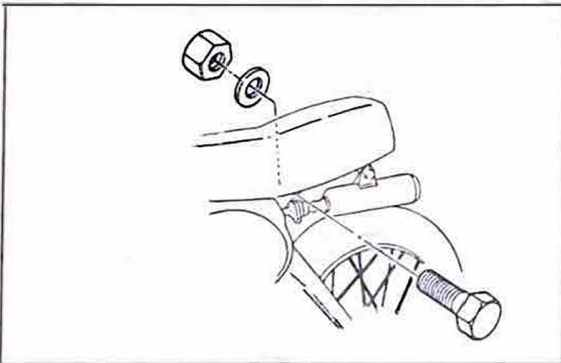


21. Install the seat using the bolt with washers. (YZ100F)  
 Install the seat using the bolts, plate washers and U. nuts. (YZ125F)

**YZ100F**



**YZ125F**



**(PAGE 11)**

**Troubleshooting**

1. Ignition timing

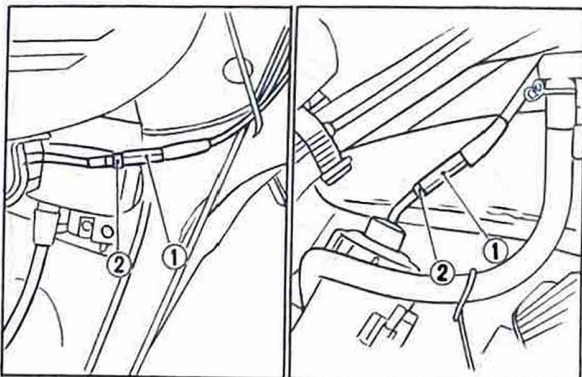
**Ignition timing:**

**$0.8 \pm 0.15 \text{ mm (} 0.031 \pm 0.006 \text{ in)}$**

**(PAGE 11)**

**4. Throttle wire**

Check play in turning deflection of throttle grip. Play should be 3~5 mm (0.12~0.2 in) at grip flange. Loosen the lock nut and turn the wire adjuster to make the necessary adjustment. After adjusting, be sure to tighten the lock nut properly.



1. Adjuster 2. Lock nut

[www.legends-yamaha-enduros.com](http://www.legends-yamaha-enduros.com)



**YAMAHA MOTOR CO., LTD.**

IWATA, JAPAN

PRINTED IN JAPAN  
78.7-2-15 x 1 ♻️