

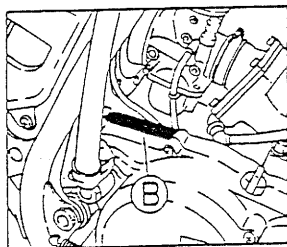
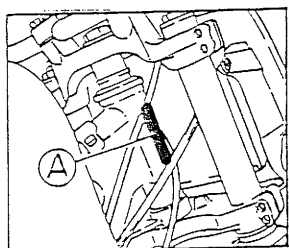
YAMAHA

PARTS CATALOGUE

Initial Serial No. and Color Code

3XK2

(A)	Frame Serial No.	3XK-008101 and following
(B)	Engine Serial No.	3XK-008101 and following



YZ250B (3XK2)



213XX-100E1

Color Code	Color Name	Abbreviate
0206	PURPLISH WHITE SOLID 1	PWS1



www.legends-yamaha-enduro

CONTENTS

ENGINE

	<u>BLOCK</u>
Cylinder Head	A-5,6
Governor	A-7
Crankshaft. Piston	A-8
Water Pump	A-9
Radiator. Hose	A-10
Intake	A-11
Carburetor	A-12, B-1
Exhaust	B-2
Crankcase	B-3
Crankcase Cover 1	B-4
Starter	B-5
Clutch	B-6
Transmission	B-7,8
Shift Cam. Fork	B-9
Shifter	B-10

Rear Brake Caliper	D-5
Steering Handle. Cable	D-6
Front Master Cylinder	D-7
Stand. Footrest	D-8
Rear Master Cylinder	D-9
Generator	D-10
Handle Switch. Lever	D-11
Electrical 1	D-12

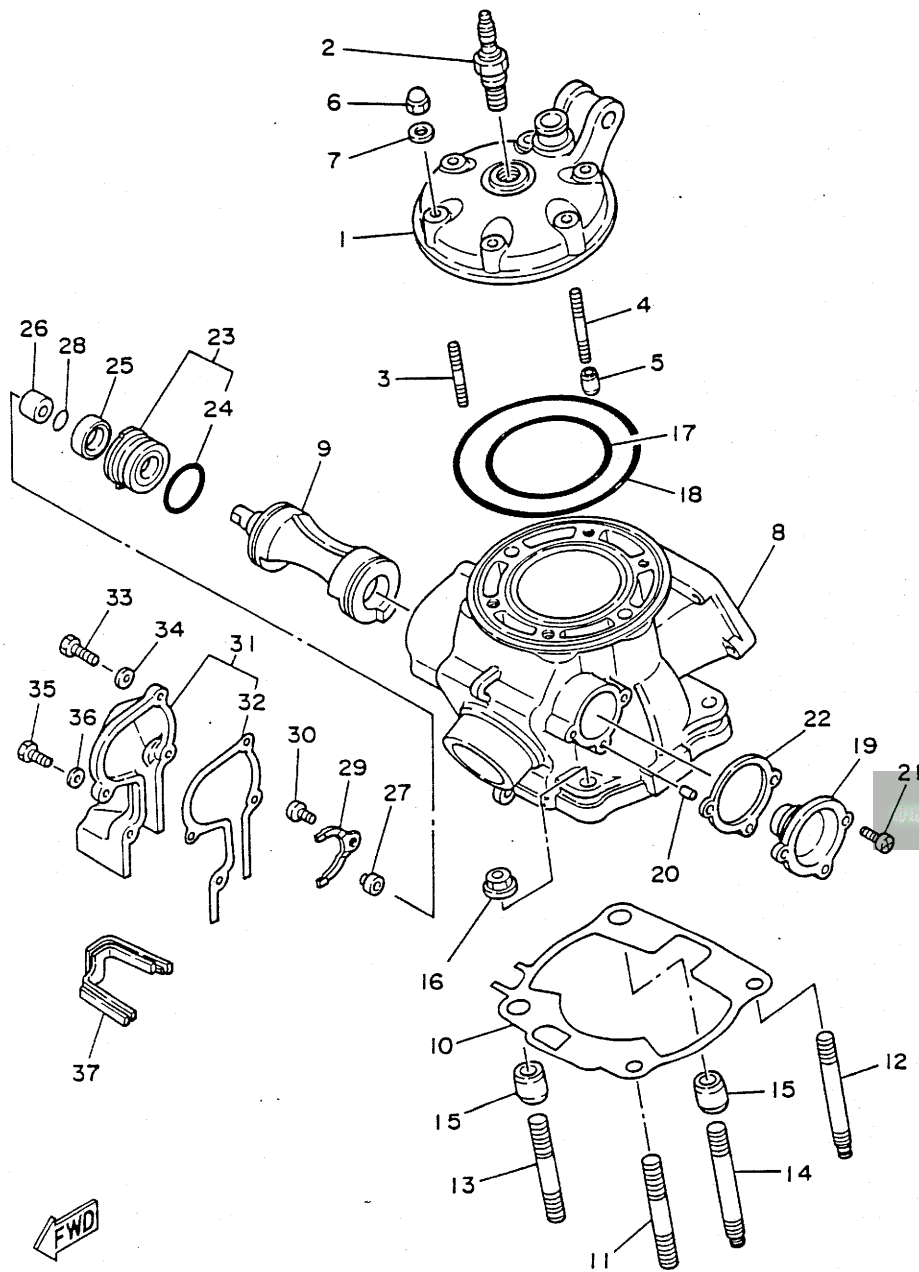
ALTERNATE PARTS

Alternate (Chassis)	E-1
---------------------------	-----

CHASSIS

Frame	B-11,12
Fender	C-1
Side Cover	C-2,3
Rear Arm	C-4,5
Rear Suspension	C-6
Steering	C-7
Front Fork	C-8,9,10
Fuel Tank	C-11
Seat	C-12
Front Wheel	D-1
Front Brake Caliper	D-2
Rear Wheel	D-3,4

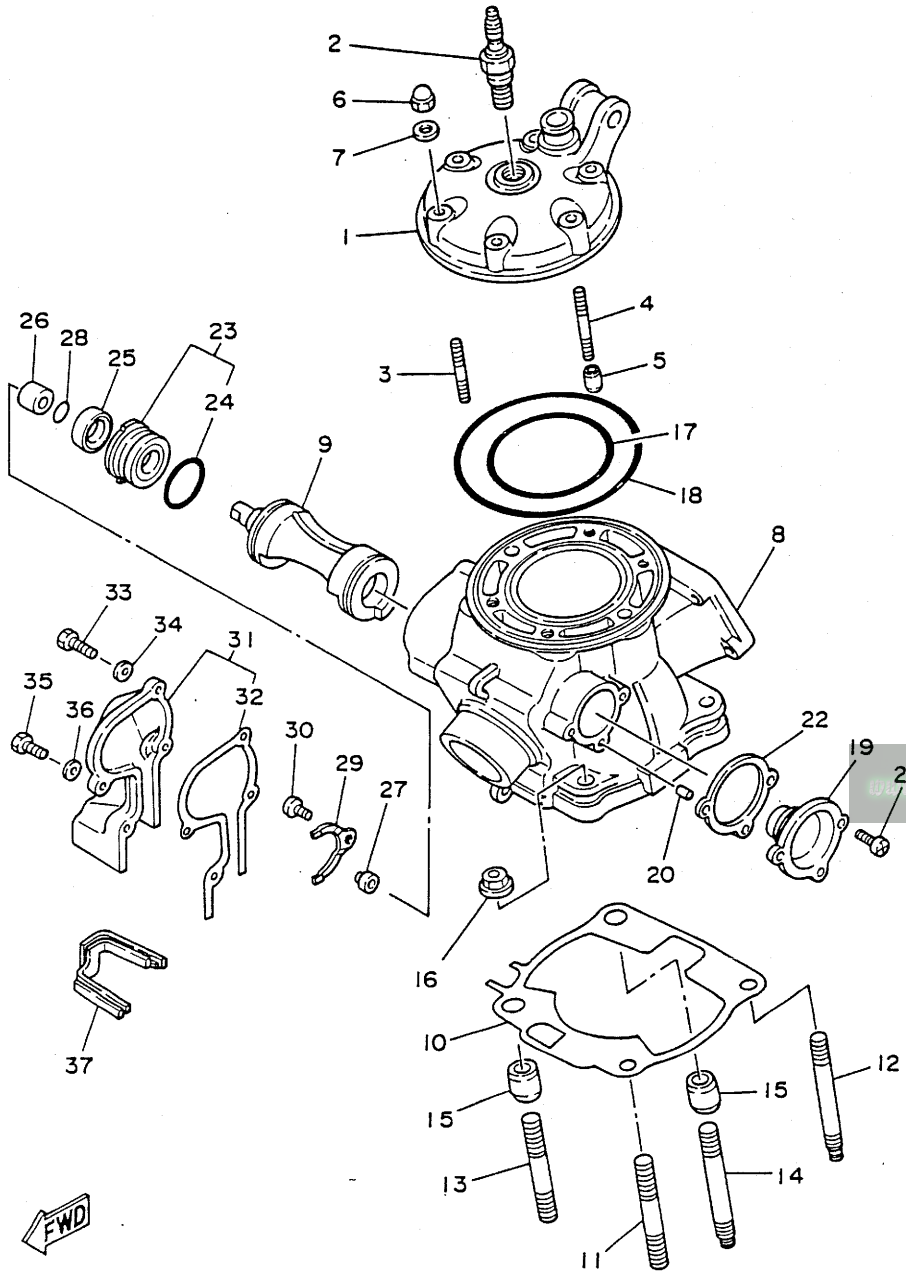
FIG. 1 CYLINDER HEAD



REF. NO.	PART NO.	DESCRIPTION	Q'TY	REMARKS
1	3XK-11111-00	HEAD, cylinder 1	1	
2	BR8EG	PLUG, spark	1	
3	90116-08394	BOLT, stud	4	
4	90116-08392	BOLT, stud	2	
5	99510-10114	PIN, dowel	2	
6	90176-08026	NUT, crown	6	
7	90201-08087	WASHER, plate	6	
8	3XK-11311-00	CYLINDER 1	1	
9	3XK-1131A-00	VALVE 1	1	
10	2VM-11351-10	GASKET, cylinder	1	
11	90116-10314	BOLT, stud	1	
12	90116-10547	BOLT, stud	1	
13	90116-10314	BOLT, stud	1	
14	90116-10547	BOLT, stud	1	
15	99530-14016	PIN, dowel	2	
16	95701-10500	NUT, flange	4	
17	93210-77363	O-RING	1	
18	93211-11770	O-RING	1	
19	3JE-W1132-00	HOLDER 1	1	
20	93604-08071	PIN, dowel	1	
21	98501-05012	SCREW, pan head	2	
22	3JE-1131N-10	GASKET, holder	1	
23	5X4-Y113F-00	HOLDER 2 ASSY	1	
24	93210-270A8	O-RING	1	
25	93104-16074	OIL SEAL	1	
26	90387-102W0	COLLAR	1	

FWD

FIG. 1 CYLINDER HEAD



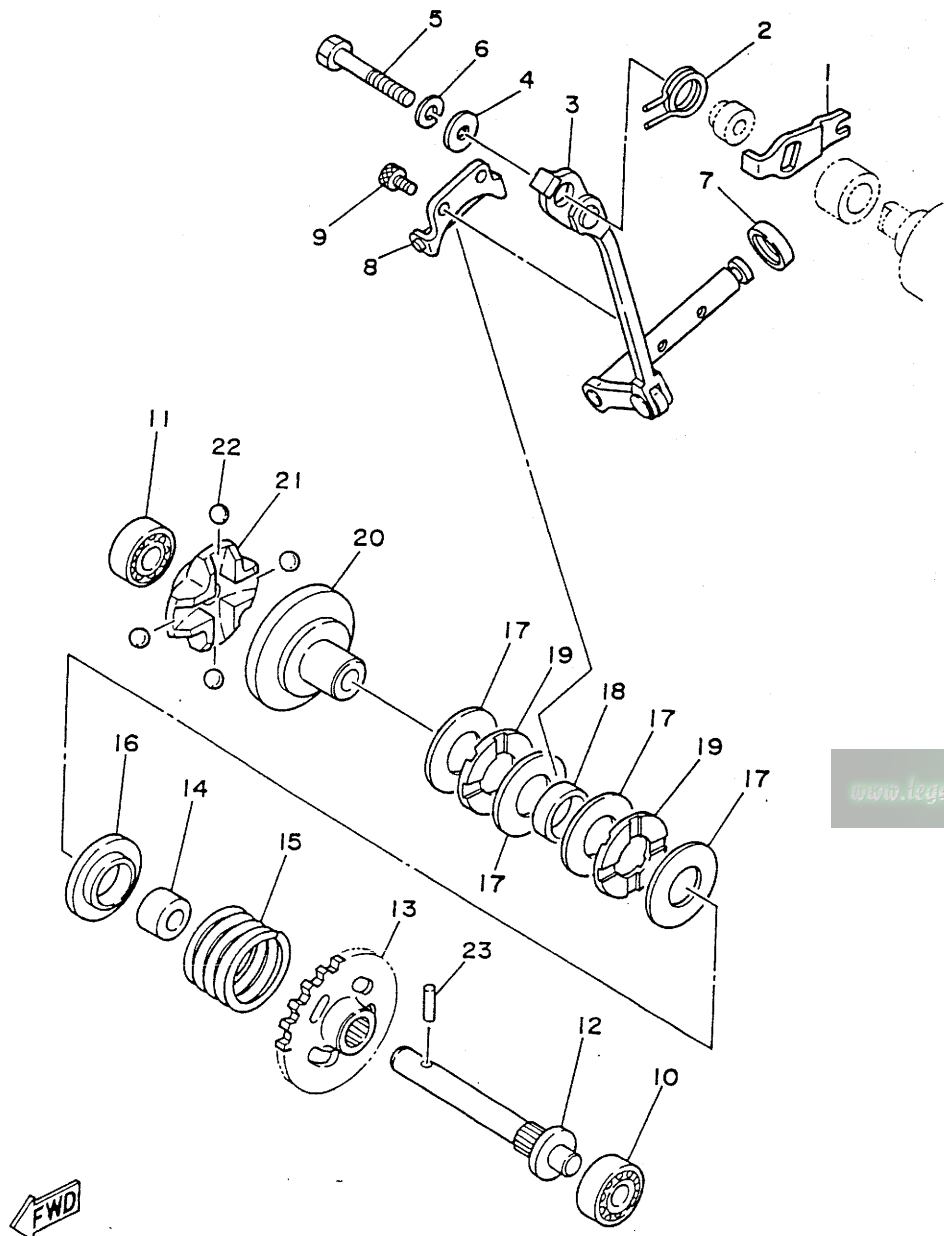
REF. NO.	PART NO.	DESCRIPTION	Q'TY	REMARKS
27	3JE-11937-00	BOSS, lever	1	
28	93210-09192	O-RING	1	
29	1LX-11915-00	PLATE, thrust 1	1	
30	98506-05008	SCREW, pan head	1	
31	3SP-11992-10	HOUSING 2	1	
32	3SP-11993-10	.GASKET	1	
33	97021-05020	BOLT	2	
34	92901-05600	WASHER, plate	2	
35	97001-05016	BOLT	2	
36	92901-05600	WASHER, plate	2	
37	2VM-11995-00	SEAL, housing	1	

www.legends-yamaha-enduros.com

FWD

FIG. 2 GOVERNOR

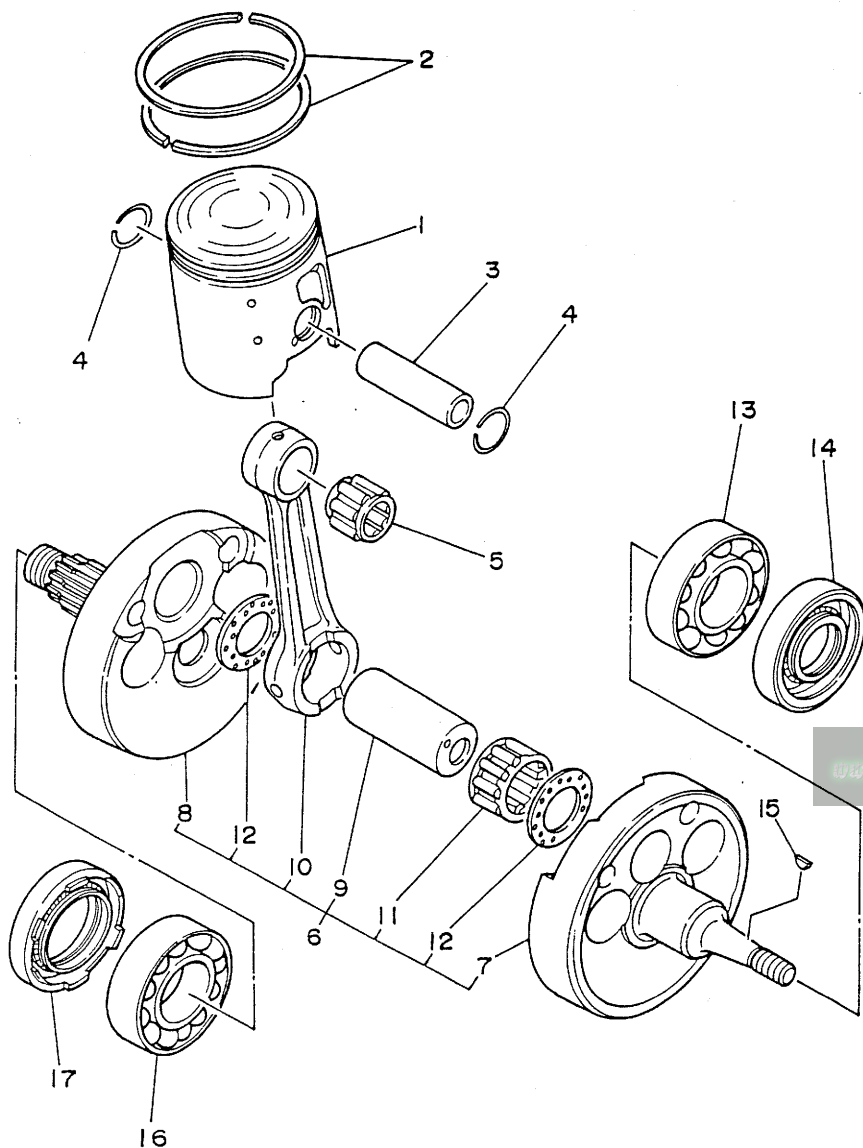
REF. NO.	PART NO.	DESCRIPTION	Q'TY	REMARKS
1	3JE-11931-00	LEVER	1	
2	90508-14783	SPRING, torsion	1	
3	3SP-11990-00	PUSH ROD ASSY	1	
4	90201-057H5	WASHER, plate	1	
5	97021-05030	BOLT	1	
6	92990-05100	WASHER, spring	1	
7	93104-08040	OIL SEAL	1	
8	3JE-11922-00	FORK, governor	1	
9	91316-04006	BOLT	2	
10	93300-60814	BEARING	1	
11	93300-60814	BEARING	1	
12	5X4-11921-02	SHAFT, governor	1	
13	24X-11953-01	GEAR, governor	1	
14	90560-08213	SPACER	1	
15	90501-240F4	SPRING, compression	1	
16	5X4-11952-00	PLATE	1	
17	90201-154E9	WASHER, plate	4	
18	90387-152F2	COLLAR	1	
19	90380-15104	BUSH, solid	2	
20	5X5-11912-01	RETAINER, weight	1	
21	5X5-11911-01	RETAINER	1	
22	93521-64032	BALL	4	
23	93603-14179	PIN, dowel	1	



www.legends-yamaha-outdoor.com

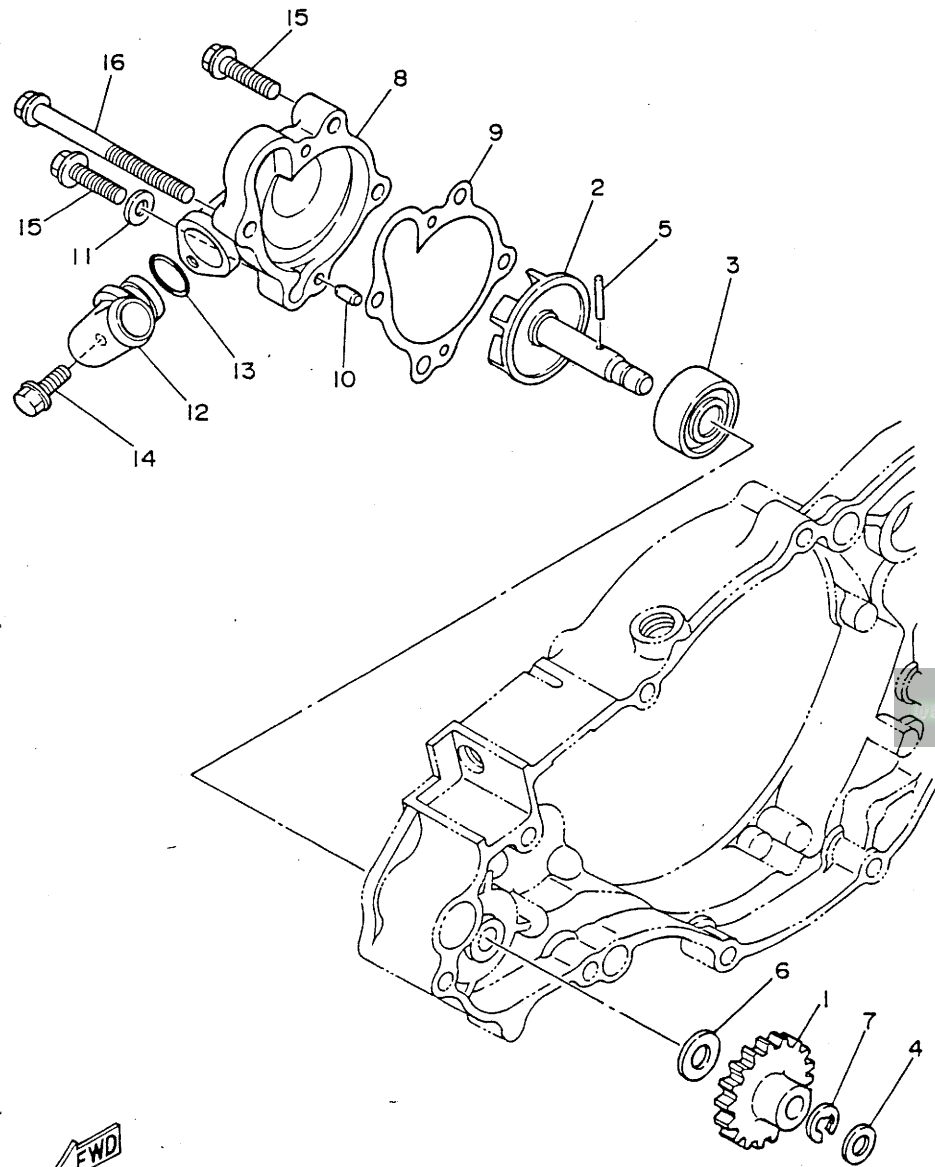
FIG. 3 CRANKSHAFT. PISTON

REF. NO.	PART NO.	DESCRIPTION	Q'TY	REMARKS
1	3XK-11631-00-A0	PISTON (STD)	1	UR RED
	3XK-11631-00-B0	PISTON (STD)	1	UR ORANGE
	3XK-11631-00-C0	PISTON (STD)	1	UR GREEN
	3XK-11631-00-D0	PISTON (STD)	1	UR PURPLE
2	3XK-11601-00	PISTON RING SET (STD)	1	
3	2VM-11633-00	PIN, piston	1	
4	93450-19052	CIRCLIP	2	
5	93310-418E9	BEARING, cylindrical	1	
6	3XK-11400-00	CRANKSHAFT ASSY	1	
7	3XK-11412-00	.CRANK 1	1	
8	3XK-11422-00	.CRANK 2	1	
9	3JE-11681-00	.PIN, crank 1	1	
10	5X5-11651-02	.ROD, connecting	1	
11	93310-425T1	.BEARING, cylindrical	1	
12	90209-25085	.WASHER	2	
13	93306-37802	BEARING	1	
14	93102-22363	OIL SEAL	1	
15	90280-03045	KEY, woodruff	1	
16	93306-37802	BEARING	1	
17	93103-40091	OIL SEAL	1	



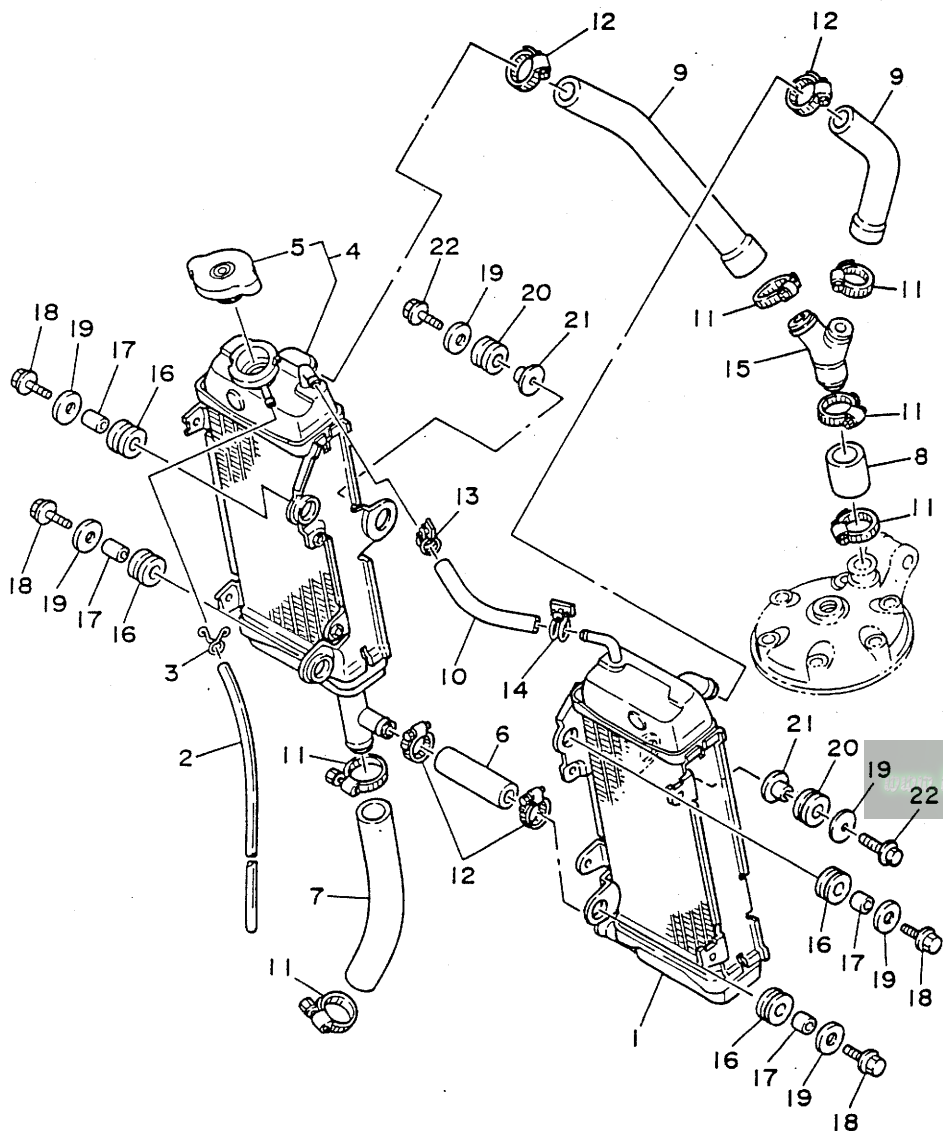
FWD

FIG. 4 WATER PUMP



REF. NO.	PART NO.	DESCRIPTION	Q'TY	REMARKS
1	2VM-12459-00	GEAR, impeller shaft	1	
2	2VM-12450-00	IMPELLER SHAFT ASSY	1	
3	93103-10147	OIL SEAL	1	
4	90201-08759	WASHER, plate	1	
5	93603-22028	PIN, dowel	1	
6	90201-08784	WASHER, plate	1	
7	99009-06600	CIRCLIP	1	
8	3SP-12422-00	COVER, housing	1	
9	2VM-12428-10	GASKET, housing cover 2	1	
10	93604-10011	PIN, dowel	2	
11	90430-06166	GASKET	1	
12	10V-12469-01	JOINT 1	1	
13	93210-16275	O-RING	1	
14	95023-06025	BOLT	1	
15	95023-06025	BOLT	3	
16	95021-06080	BOLT, flange	1	

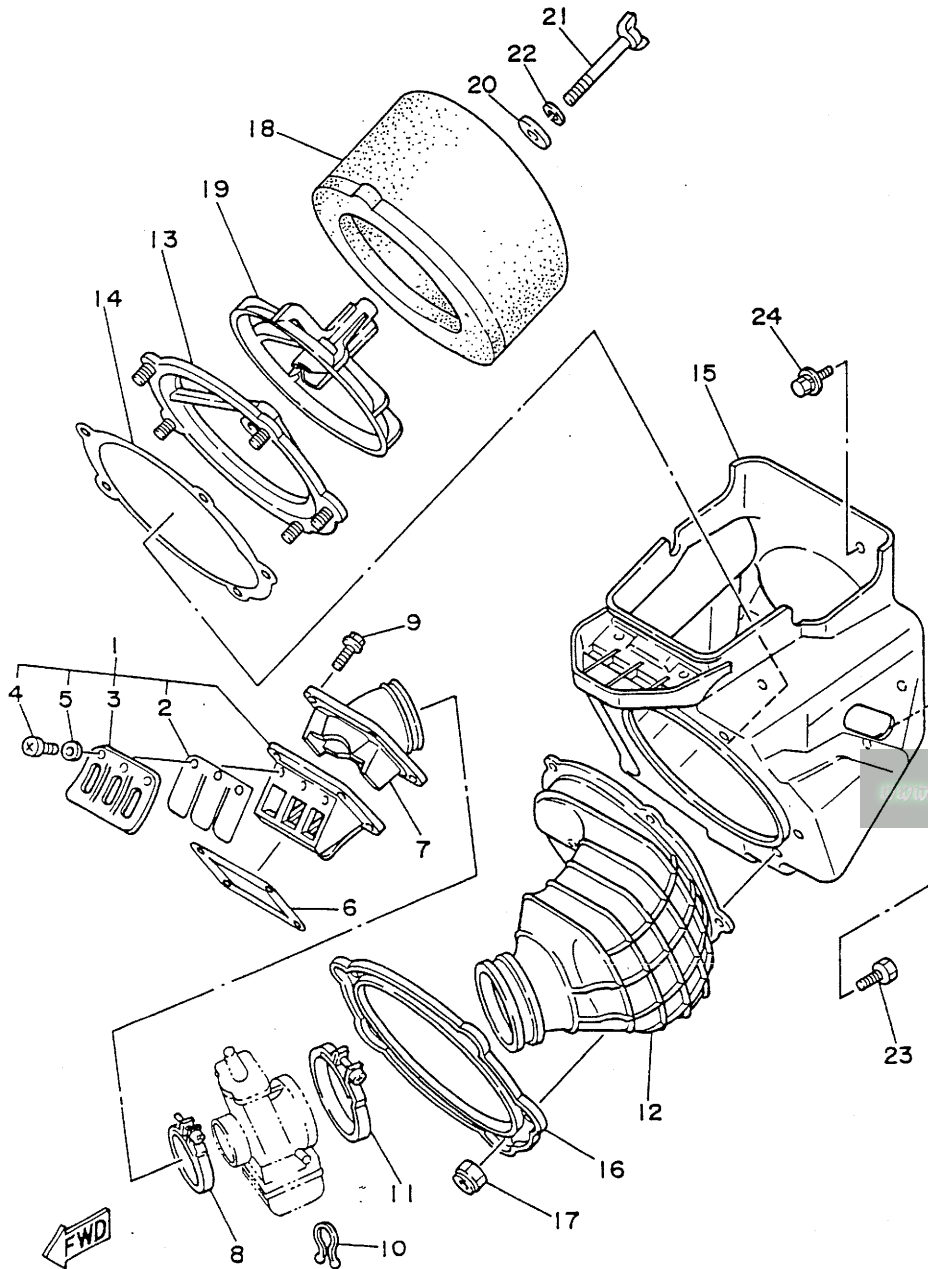
FIG. 5 RADIATOR. HOSE



REF. NO.	PART NO.	DESCRIPTION	Q'TY	REMARKS
1	3SP-12460-00	RADIATOR ASSY	1	
2	90446-09013	HOSE	1	
3	90467-09006	CLIP	1	
4	3SP-1240A-00	RADIATOR ASSY 2	1	
5	22W-12462-00	.CAP, radiator	1	
6	3SP-12482-00	PIPE 2	1	
7	3SP-12483-00	PIPE 3	1	
8	3SP-12485-00	PIPE 5	1	
9	3SP-12476-00	PIPE 6	2	
10	3SP-1248A-00	PIPE 8	1	
11	90450-28014	HOSE CLAMP ASSY	6	
12	90450-22017	HOSE CLAMP ASSY	4	
13	90450-15041	HOSE CLAMP ASSY	1	
14	90450-17036	HOSE CLAMP ASSY	1	
15	24X-12469-00	JOINT 1	1	
16	90480-15528	GROMMET	4	
17	90387-074W0	COLLAR	4	
18	95023-06025	BOLT	4	
19	90201-06570	WASHER, plate	6	
20	90480-18276	GROMMET	2	
21	90387-064W1	COLLAR	2	
22	95023-06020	BOLT	2	

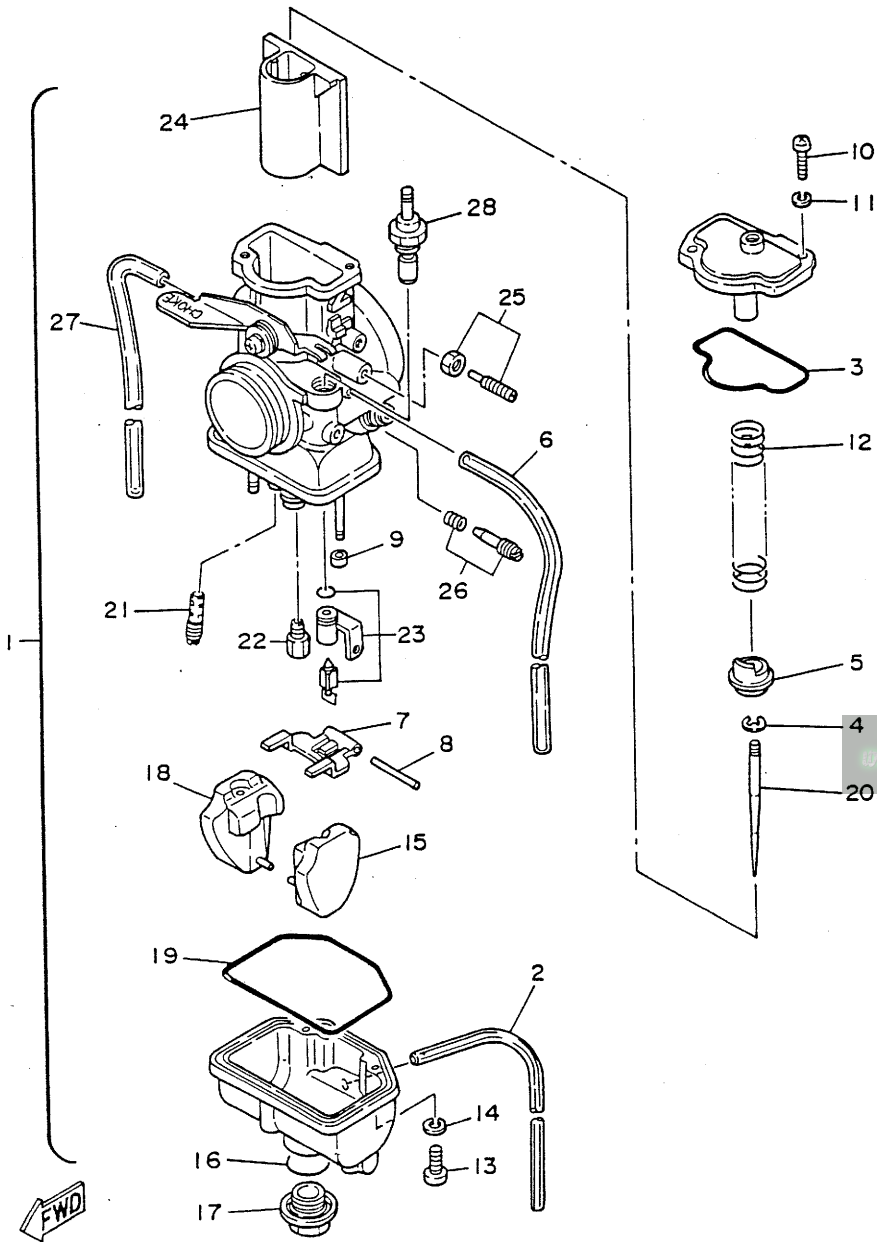
FWD

FIG. 6 INTAKE



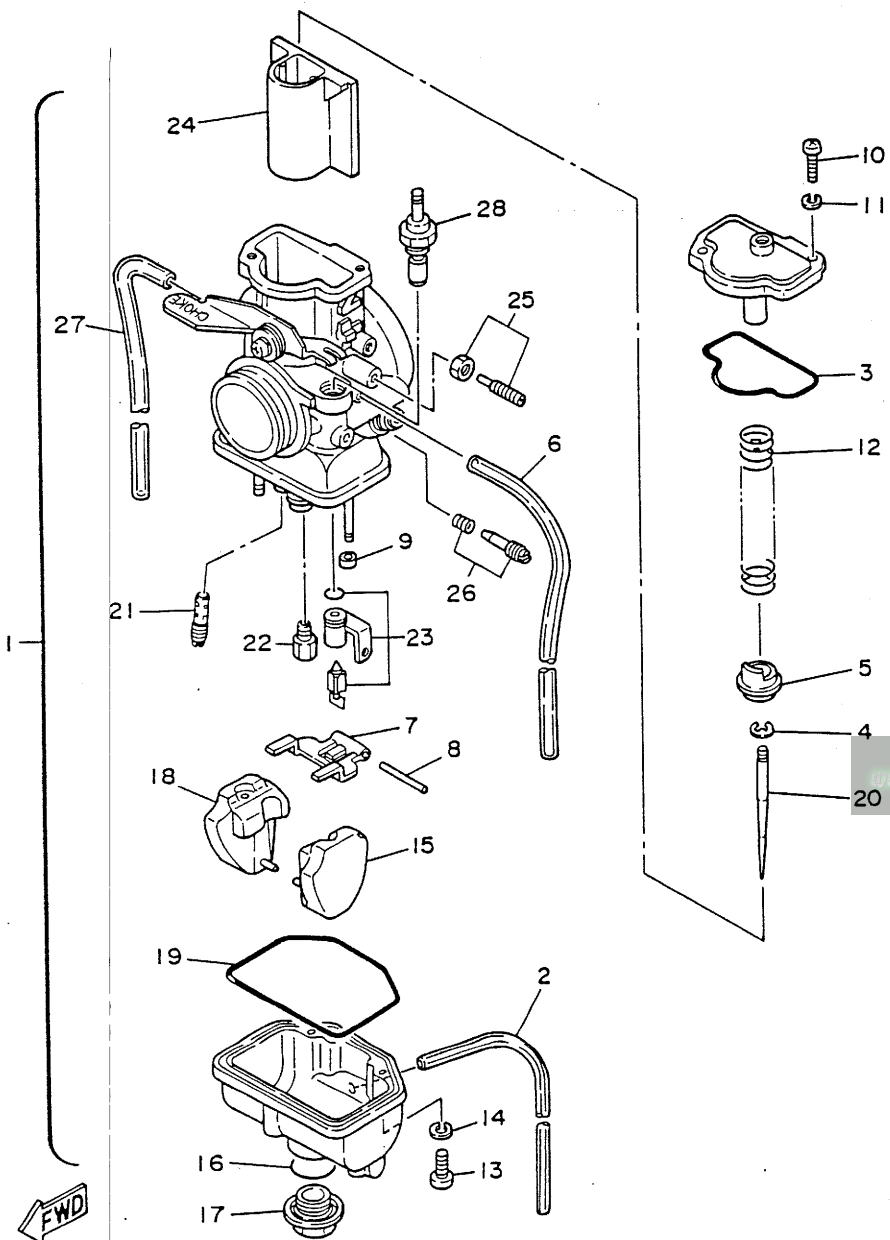
REF. NO.	PART NO.	DESCRIPTION	Q'TY	REMARKS
1	3SP-13610-00	REED VALVE ASSY	1	
2	3SP-13613-00	.REED, valve	2	
3	3SP-13616-00	.STOPPER, reed valve	2	
4	98580-03008	.SCREW, pan head	6	
5	92990-03100	.WASHER, spring	6	
6	2K7-13621-10	GASKET, valve seat	1	
7	3SP-13565-00	JOINT, carburetor	1	
8	90460-51109	CLAMP, hose	1	
9	95023-06020	BOLT	4	
10	90464-16039	CLAMP	1	
11	90460-68230	CLAMP, hose	1	
12	3XK-14453-00	JOINT, air cleaner 1	1	
13	3JD-14459-00	HOLDER, guide	1	
14	3JD-14462-00	SEAL	1	
15	3XJ-W1441-00	AIR CLEANER CASE COMP.	1	
16	3JD-14477-00	PLATE	1	
17	95601-05100	NUT, u	5	
18	3JD-14451-00	ELEMENT, air cleaner	1	
19	3JD-14458-00	GUIDE	1	
20	90209-06096	WASHER	1	
21	90122-06030	BOLT, wing	1	
22	92990-06100	WASHER, spring	1	
23	95023-06010	BOLT	1	
24	90119-06185	BOLT, with washer	2	

FIG. 7 CARBURETOR



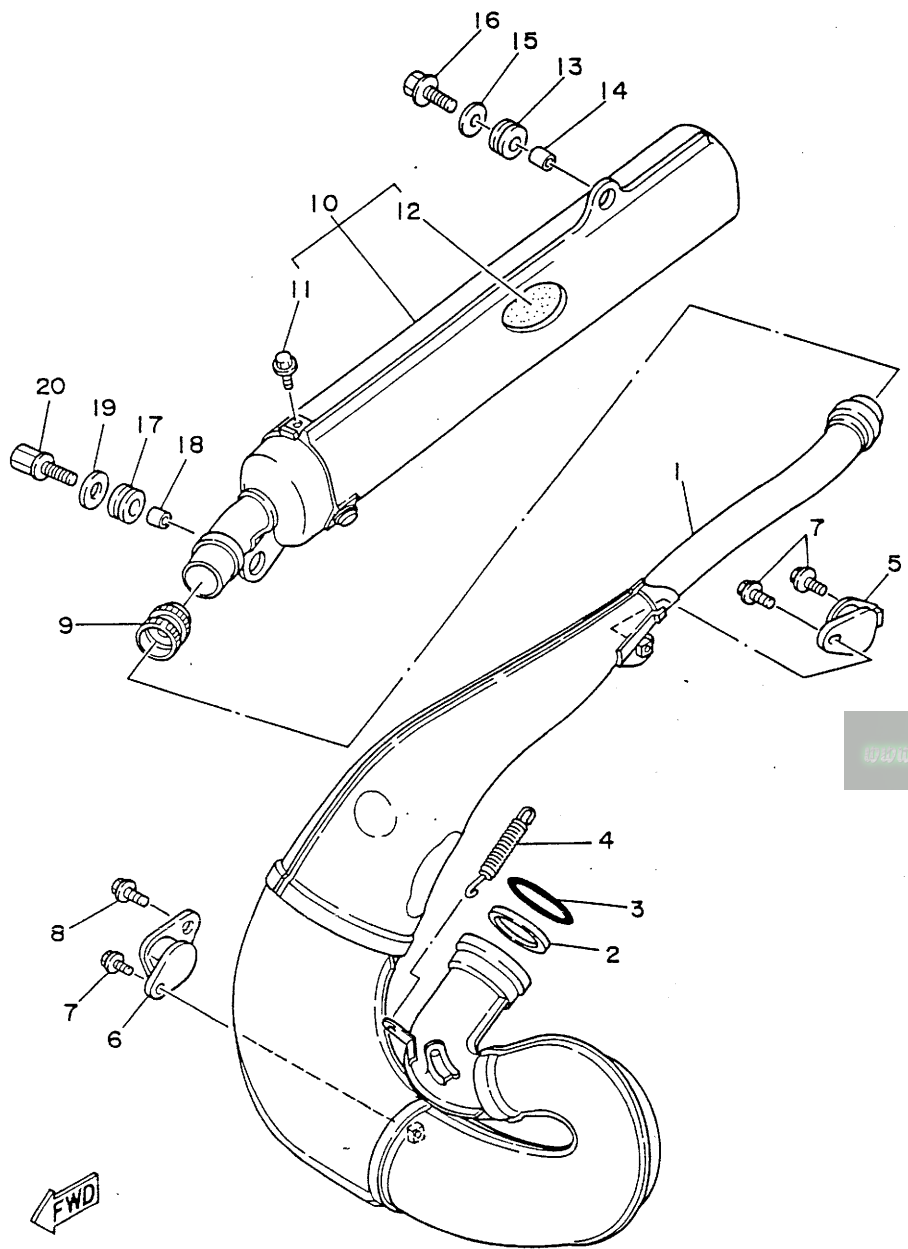
REF. NO.	PART NO.	DESCRIPTION	Q'TY	REMARKS
1	3XK-14101-00	CARBURETOR ASSY 1	1	
2	3X3-14197-00	.PIPE	1	
3	3JD-14147-00	.O-RING	1	
4	256-14919-00	.CLIP	1	
5	3JD-14194-00	.RING	1	
6	3SP-14149-00	.PIPE	1	
7	363-14187-00	.ARM, float	1	
8	353-14186-00	.PIN, float	1	
9	214-14118-00	.CAP	2	
10	98511-04012	.SCREW, pan head	2	
11	92902-04100	.WASHER, spring	2	
12	3JD-14131-00	.SPRING, throttle valve	1	
13	98580-03010	.SCREW, pan head	1	
14	92990-03100	.WASHER, spring	1	
15	3JD-14185-00	.FLOAT	1	
16	3JE-14561-00	.O-RING	1	
17	3XK-14115-00	.PLUG, screw	1	
18	3JE-14185-00	.FLOAT	1	
19	3JE-14147-00	.O-RING	1	
20	275-14116-E3	.NEEDLE (J8-6DJ8-58)	1	AP
	275-14116-A6	.NEEDLE (J8-6DJ8-59)	1	AP
	275-14116-A9	.NEEDLE (J8-6DJ8-60)	1	AP
	275-14116-A7	.NEEDLE (J8-6DJ8-61)	1	AP STD
	275-14116-E0	.NEEDLE (J8-6DJ8-62)	1	AP
	275-14116-A8	.NEEDLE (J8-6DJ8-63)	1	AP
21	3H1-14142-45	.JET, pilot (# 45)	1	STD
	3H1-14142-35	.JET, pilot (# 35)	1	AP

FIG. 7 CARBURETOR



REF. NO.	PART NO.	DESCRIPTION	Q'TY	REMARKS
21	3H1-14142-40	.JET, pilot (# 40)	1	AP
	3H1-14142-50	.JET, pilot (# 50)	1	AP
	3H1-14142-55	.JET, pilot (# 55)	1	AP
22	137-14143-62-A1	.JET, main (#310)	1	AP
	137-14143-64	.JET, main (#320)	1	AP
	137-14143-66	.JET, main (#330)	1	AP STD
	137-14143-68	.JET, main (#340)	1	AP
	137-14143-70	.JET, main (#350)	1	AP
	137-14143-72	.JET, main (#360)	1	AP
23	3JD-14107-35	.NEEDLE VALVE SET	1	
24	3JD-14112-40	.VALVE, throttle (C.A 4.0)	1	STD
	3JD-14112-30	.VALVE, throttle (C.A 3.0)	1	AP
	3JD-14112-35	.VALVE, throttle (C.A 3.5)	1	AP
	3JD-14112-45	.VALVE, throttle (C.A 4.5)	1	AP
	3JD-14112-50	.VALVE, throttle (C.A 5.0)	1	AP
25	3JD-14103-00	.THROTTLE SCREW SET	1	
26	3JD-14104-00	.AIR SCREW SET	1	
27	3SP-14149-00	.PIPE	1	
28	3SP-1410A-00	.STARTER SET	1	

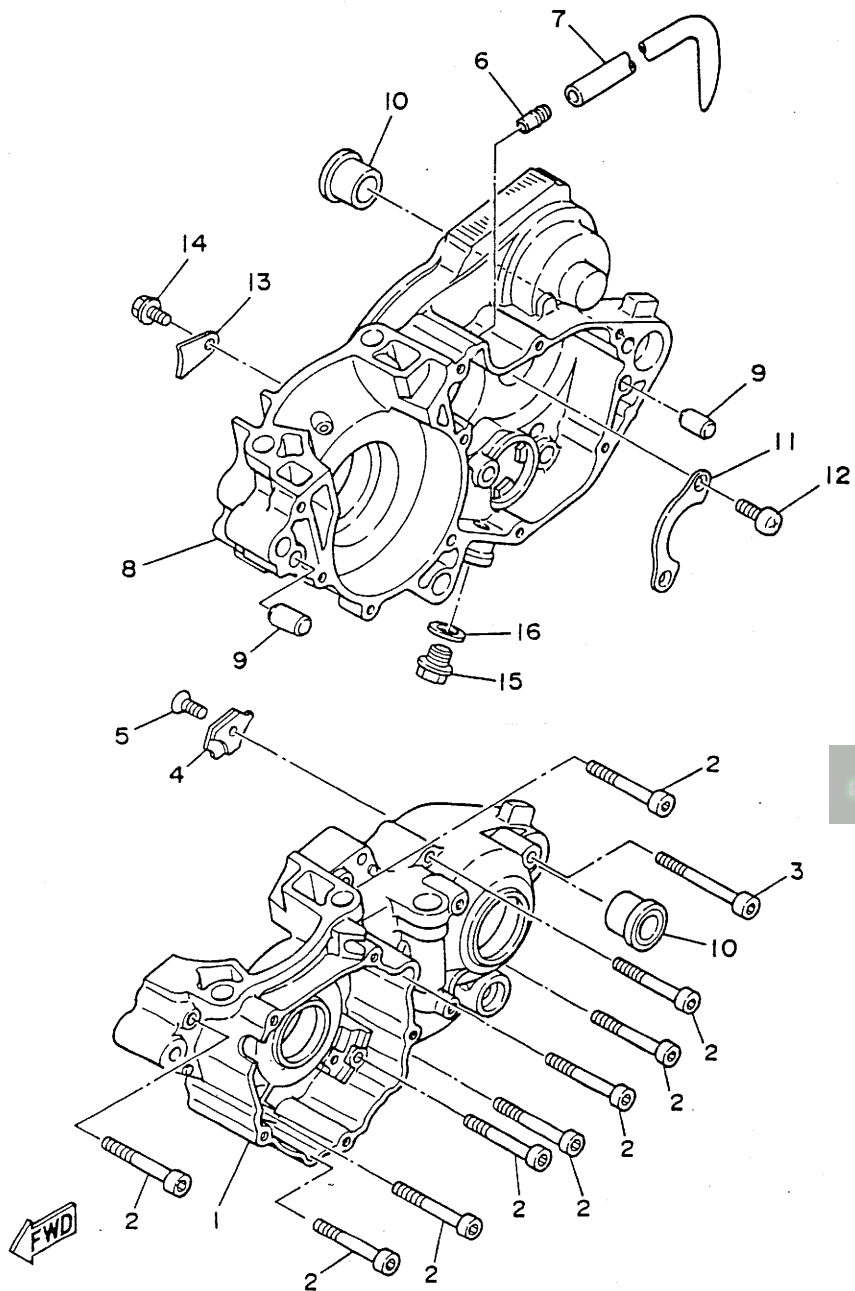
FIG. 8 EXHAUST



REF. NO.	PART NO.	DESCRIPTION	Q'TY	REMARKS
1	3XK-14610-00	EXHAUST PIPE ASSY 1	1	
2	3R4-14613-00	GASKET, exhaust pipe	1	
3	93210-56743	O-RING	1	
4	90507-20030	SPRING, tension	3	
5	565-14771-00	STAY, muffler 1	1	
6	483-14781-01	STAY, muffler 2	1	
7	95023-06010	BOLT	3	
8	95023-08012	BOLT	1	
9	3JE-14615-00	JOINT, exhaust 1	1	
10	3XK-14753-10	SILENCER, exhaust	1	
11	95023-06008	.BOLT	3	
12	3XK-1469A-10	.FIBER	1	
13	39X-14747-00	DAMPER, muffler	1	
14	90387-100Y1	COLLAR	1	
15	90201-08612	WASHER, plate	1	
16	95021-08030	BOLT, flange	1	
17	90480-16233	GROMMET	1	
18	90387-060A7	COLLAR	1	
19	90201-06407	WASHER, plate	1	
20	90109-064F4	BOLT	1	

FIG. 9 CRANKCASE

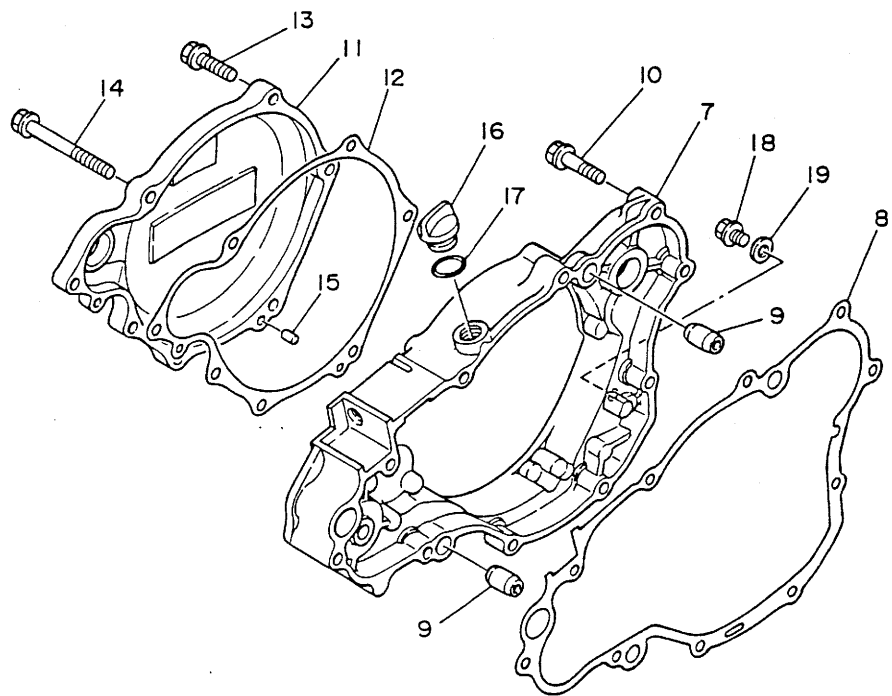
REF. NO.	PART NO.	DESCRIPTION	Q'TY	REMARKS
1	2VM-15111-02	CRANKCASE 1	1	
2	91316-06050	BOLT	9	
3	91316-06070	BOLT	1	
4	3SP-15381-00	PLATE, bearing cover	1	
5	98701-06012	SCREW, flat head	1	
6	353-13115-01	CONNECTOR, suction pipe	1	
7	90445-086A8	HOSE	1	
8	2VM-15121-01	CRANKCASE 2	1	
9	99510-12016	PIN, dowel	2	
10	90387-160H4	COLLAR	2	
11	4L0-17471-00	PLATE, cover	1	
12	98501-06012	SCREW, pan head	2	
13	4V4-15118-00	HOLDER	1	
14	91002-06010	BOLT, flange	1	
15	90340-12059	PLUG, straight screw	1	
16	90430-12207	GASKET	1	



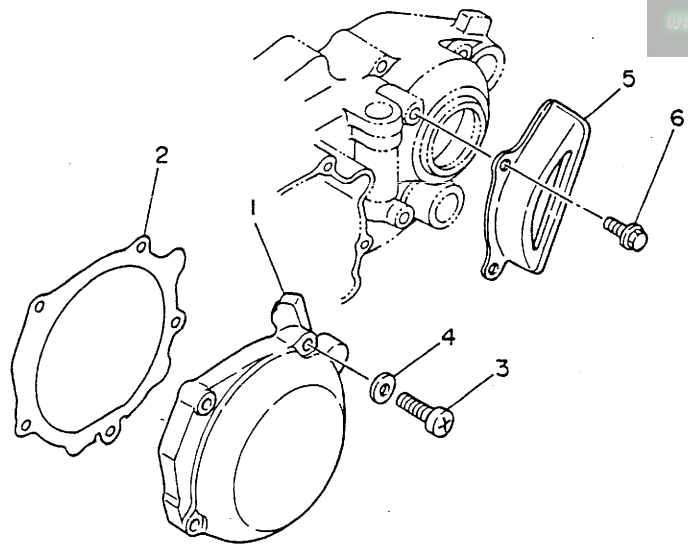
www.legends-yamaha-enduros.com

1 2 3 4 5 6 7 8 9 10 11 12 13 14 15 16 17 18 19 20 21 22 23 24 25 26 27 28 29 30 31 32 33 34 35 36 37 38 39 40 41 42 43 44 45 46 47 48 49 50 51 52 53 54 55 56 57 58 59 60 61 62 63 64 65 66 67 68 69 70 71 72 73 74 75 76 77 78 79 80 81 82 83 84 85 86 87 88 89 90 91 92 93 94 95 96 97 98 99 100 101 102 103 104 105 106 107 108 109 110 111 112 113 114 115 116 117 118 119 120 121 122 123 124 125 126 127 128 129 130 131 132 133 134 135 136 137 138 139 140 141 142 143 144 145 146 147 148 149 150 151 152 153 154 155 156 157 158 159 160 161 162 163 164 165 166 167 168 169 170 171 172 173 174 175 176 177 178 179 180 181 182 183 184 185 186 187 188 189 190 191 192 193 194 195 196 197 198 199 200 201 202 203 204 205 206 207 208 209 210 211 212 213 214 215 216 217 218 219 220 221 222 223 224 225 226 227 228 229 230 231 232 233 234 235 236 237 238 239 240 241 242 243 244 245 246 247 248 249 250 251 252 253 254 255 256 257 258 259 260 261 262 263 264 265 266 267 268 269 270 271 272 273 274 275 276 277 278 279 280 281 282 283 284 285 286 287 288 289 290 291 292 293 294 295 296 297 298 299 300 301 302 303 304 305 306 307 308 309 310 311 312 313 314 315 316 317 318 319 320 321 322 323 324 325 326 327 328 329 330 331 332 333 334 335 336 337 338 339 340 341 342 343 344 345 346 347 348 349 350 351 352 353 354 355 356 357 358 359 360 361 362 363 364 365 366 367 368 369 370 371 372 373 374 375 376 377 378 379 380 381 382 383 384 385 386 387 388 389 390 391 392 393 394 395 396 397 398 399 400 401 402 403 404 405 406 407 408 409 410 411 412 413 414 415 416 417 418 419 420 421 422 423 424 425 426 427 428 429 430 431 432 433 434 435 436 437 438 439 440 441 442 443 444 445 446 447 448 449 450 451 452 453 454 455 456 457 458 459 460 461 462 463 464 465 466 467 468 469 470 471 472 473 474 475 476 477 478 479 480 481 482 483 484 485 486 487 488 489 490 491 492 493 494 495 496 497 498 499 500 501 502 503 504 505 506 507 508 509 510 511 512 513 514 515 516 517 518 519 520 521 522 523 524 525 526 527 528 529 530 531 532 533 534 535 536 537 538 539 540 541 542 543 544 545 546 547 548 549 550 551 552 553 554 555 556 557 558 559 560 561 562 563 564 565 566 567 568 569 570 571 572 573 574 575 576 577 578 579 580 581 582 583 584 585 586 587 588 589 590 591 592 593 594 595 596 597 598 599 600 601 602 603 604 605 606 607 608 609 610 611 612 613 614 615 616 617 618 619 620 621 622 623 624 625 626 627 628 629 630 631 632 633 634 635 636 637 638 639 640 641 642 643 644 645 646 647 648 649 650 651 652 653 654 655 656 657 658 659 660 661 662 663 664 665 666 667 668 669 670 671 672 673 674 675 676 677 678 679 680 681 682 683 684 685 686 687 688 689 690 691 692 693 694 695 696 697 698 699 700 701 702 703 704 705 706 707 708 709 710 711 712 713 714 715 716 717 718 719 720 721 722 723 724 725 726 727 728 729 730 731 732 733 734 735 736 737 738 739 740 741 742 743 744 745 746 747 748 749 750 751 752 753 754 755 756 757 758 759 760 761 762 763 764 765 766 767 768 769 770 771 772 773 774 775 776 777 778 779 780 781 782 783 784 785 786 787 788 789 790 791 792 793 794 795 796 797 798 799 800 801 802 803 804 805 806 807 808 809 810 811 812 813 814 815 816 817 818 819 820 821 822 823 824 825 826 827 828 829 830 831 832 833 834 835 836 837 838 839 840 841 842 843 844 845 846 847 848 849 850 851 852 853 854 855 856 857 858 859 860 861 862 863 864 865 866 867 868 869 870 871 872 873 874 875 876 877 878 879 880 881 882 883 884 885 886 887 888 889 890 891 892 893 894 895 896 897 898 899 900 901 902 903 904 905 906 907 908 909 910 911 912 913 914 915 916 917 918 919 920 921 922 923 924 925 926 927 928 929 930 931 932 933 934 935 936 937 938 939 940 941 942 943 944 945 946 947 948 949 950 951 952 953 954 955 956 957 958 959 960 961 962 963 964 965 966 967 968 969 970 971 972 973 974 975 976 977 978 979 980 981 982 983 984 985 986 987 988 989 990 991 992 993 994 995 996 997 998 999 1000

FIG. 10 CRANKCASE COVER 1



REF. NO.	PART NO.	DESCRIPTION	Q'TY	REMARKS
1	2VM-15411-00	COVER, crankcase 1	1	
2	2VM-15451-10	GASKET, crankcase cover 1	1	
3	98501-06030	SCREW, pan head	5	
4	92901-06600	WASHER, plate	5	
5	2VM-15421-00	COVER, crankcase 2	1	
6	95023-06012	BOLT	2	
7	3SP-Y1543-00	COVER, crankcase 3	1	
8	2VM-15462-10	GASKET, crankcase cover 3	1	
9	99510-12016	PIN, dowel	2	
10	95023-06030	BOLT	7	
11	3SP-15415-00	COVER, generator	1	
12	3SP-15463-10	GASKET, carburetor cover 2	1	
13	95023-06025	BOLT	5	
14	95021-06070	BOLT, flange	2	
15	93604-10011	PIN, dowel	2	
16	1G8-15362-00	PLUG, oil level	1	
17	93210-14104	O-RING	1	
18	95023-06008	BOLT	1	
19	90430-06016	GASKET	1	



FWD

FIG. 11 STARTER

REF. NO.	PART NO.	DESCRIPTION	Q'TY	REMARKS
1	2VM-15661-00	AXLE, kick	1	
2	3R4-15641-00	GEAR, kick (26T)	1	
3	90468-26048	CLIP	1	
4	90201-20358	WASHER, plate	1	
5	90508-30743	SPRING, torsion	1	
6	2VM-15664-00	GUIDE, spring	1	
7	38V-15651-00	GEAR, kick idle (23T)	1	
8	90201-17545	WASHER, plate	2	
9	99009-17400	CIRCLIP	1	
10	93102-20309	OIL SEAL	1	
11	3SP-15620-00	KICK CRANK ASSY	1	
12	3SP-15621-00	.BOSS, kick crank	1	
13	1/4 inch	.BALL	1	
14	90501-13720	.SPRING, compression	1	
15	.O-RING	1		
16	90157-06048	.SCREW, pan head	1	
17	95023-08020	BOLT	1	
18	90201-087A9	WASHER, plate	1	

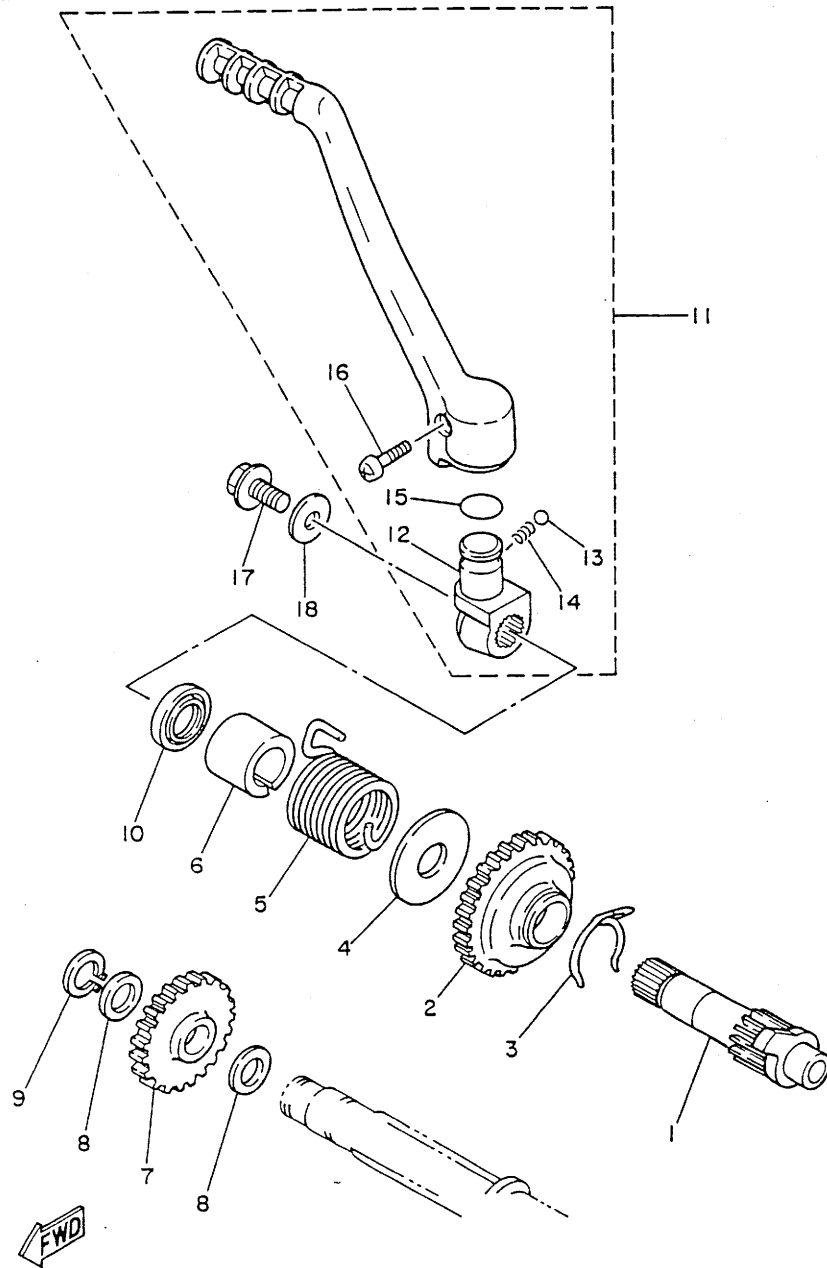
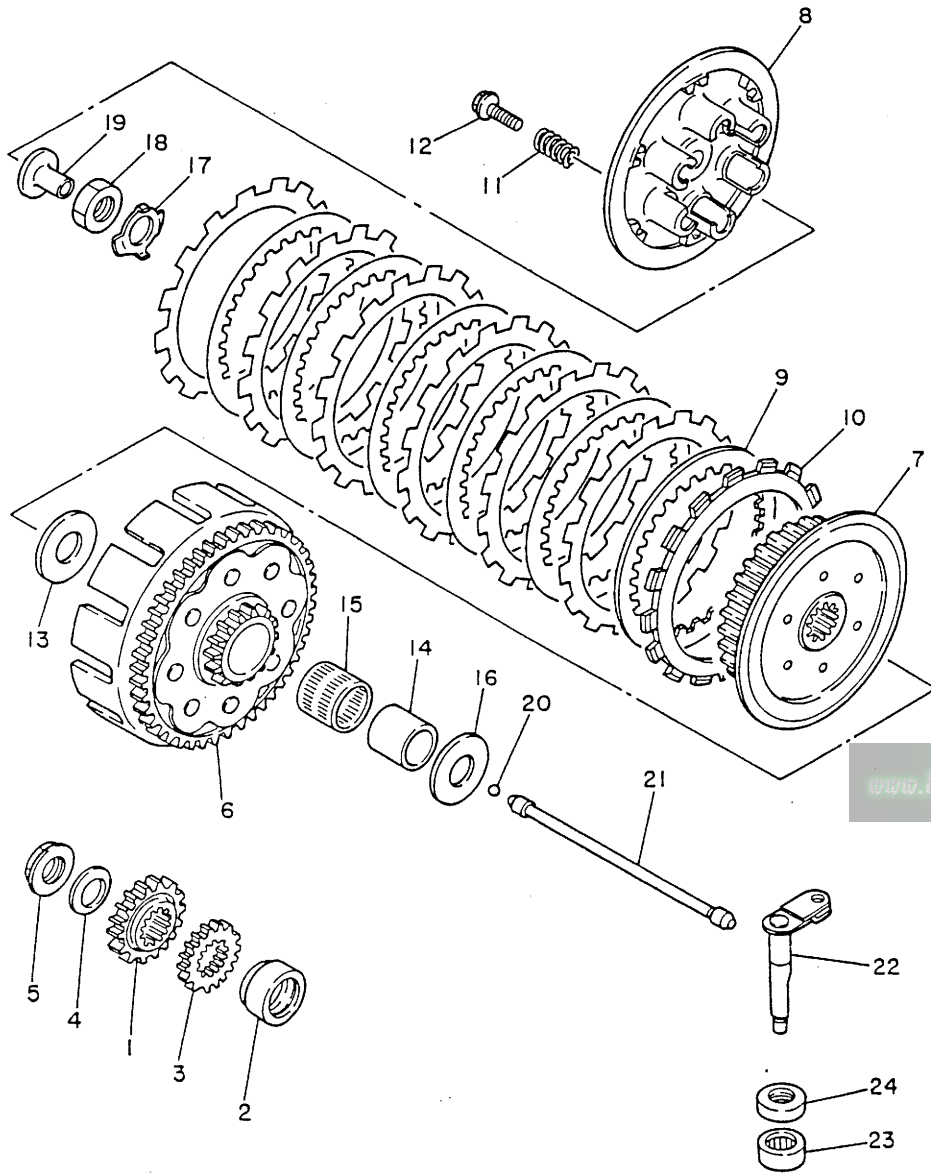


FIG. 12 CLUTCH



REF. NO.	PART NO.	DESCRIPTION	Q'TY	REMARKS
1	2VM-16111-00	GEAR, primary drive	1	
2	90387-252F6	COLLAR	1	
3	3XK-11956-00	GEAR, governor drive	1	
4	90208-18025	WASHER, conical spring	1	
5	90179-18172	NUT	1	
6	3SP-16150-00	PRIMARY DRIVEN GEAR COMP.	1	
7	2VM-16371-00	BOSS, clutch	1	
8	2VM-16351-00	PLATE, pressure 1	1	
9	3XK-16325-00	PLATE, clutch 2	6	
10	3XK-16321-00	PLATE, friction	7	
11	90501-23598	SPRING, compression	6	
12	90159-06016	SCREW, with washer	6	
13	2K7-16154-00	PLATE, thrust 1	1	
14	2VM-16181-00	SPACER 1	1	
15	93310-230T7	BEARING, cylindrical	1	
16	3SP-16154-00	PLATE, thrust 1	1	
17	90215-20231	WASHER, lock	1	
18	90170-20255	NUT	1	
19	2VM-16356-00	ROD, push 1	1	
20	11/32 inch	BALL	1	
21	3SP-16357-00	ROD, push 2	1	
22	2VM-16381-00	PUSH LEVER COMP.	1	
23	93315-11206	BEARING, cylindrical	1	
24	93102-12224	OIL SEAL	1	

FWD

FIG. 13 TRANSMISSION

REF. NO.	PART NO.	DESCRIPTION	Q'TY	REMARKS
1	2VM-17411-00	AXLE, main (15T)	1	
2	93306-20540	BEARING	1	
3	2VM-17151-00	GEAR, 5th pinion (23T)	1	
4	90201-22555	WASHER, plate	1	
5	93410-22039	CIRCLIP	2	
6	2VM-17131-00	GEAR, 3rd pinion (16T)	1	
7	90209-18135	WASHER	1	
8	2VM-17141-00	GEAR, 4th pinion (19T)	1	
9	2VM-17121-00	GEAR, 2nd pinion (17T)	1	
10	90209-17311	WASHER	1	
11	93311-41734	BEARING, cylindrical	1	
12	93311-62035	BEARING, cylindrical	1	
13	2VM-17421-00	AXLE, drive	1	
14	93410-20038	CIRCLIP	1	
15	90201-20278	WASHER, plate	1	
16	2VM-17211-00	GEAR, 1st wheel (31T)	1	
17	2VM-17251-01	GEAR, 5th wheel (23T)	1	
18	93440-25084	CIRCLIP	3	
19	90209-22082	WASHER	2	
20	2VM-17231-00	GEAR, 3rd wheel (22T)	1	
21	2VM-17241-00	GEAR, 4th wheel (22T)	1	
22	90201-253K0	WASHER, plate (T=1.0)	1	
23	2VM-17221-00	GEAR, 2nd wheel (29T)	1	
24	93306-20574	BEARING	1	
25	93102-32M07	OIL SEAL	1	
26	90387-25663	COLLAR	1	
27	93834-14049	SPROCKET,drive 14T (1W41746140)	1	STD
	93834-13029	SPROCKET,drive 13T (1W41746130)	1	AP

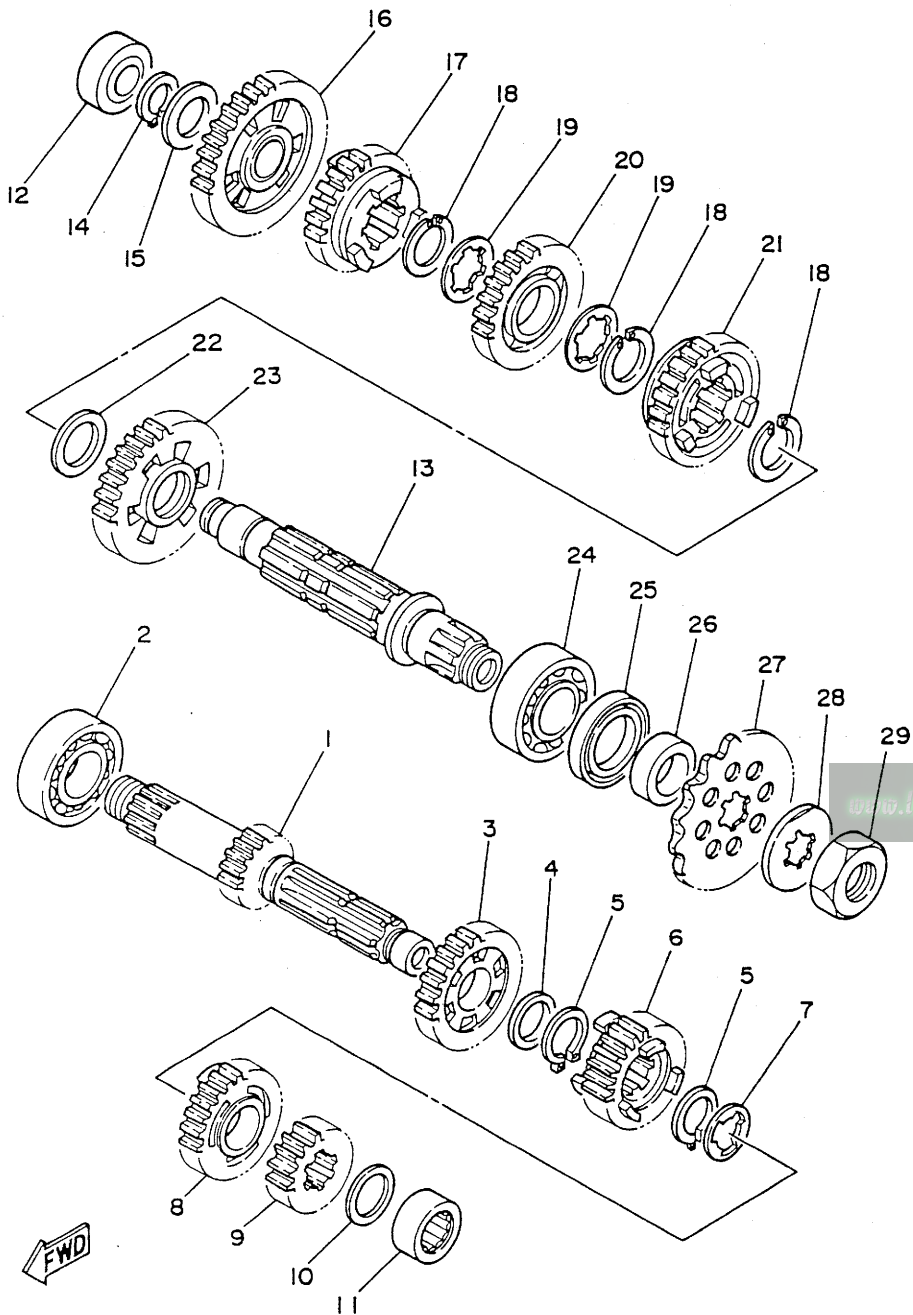


FIG. 13 TRANSMISSION

REF. NO.	PART NO.	DESCRIPTION	Q'TY	REMARKS
27	93834-15075	SPROCKET,drive 15T	1	AP
28	90215-21239	WASHER, lock	1	
29	90179-20255	NUT	1	

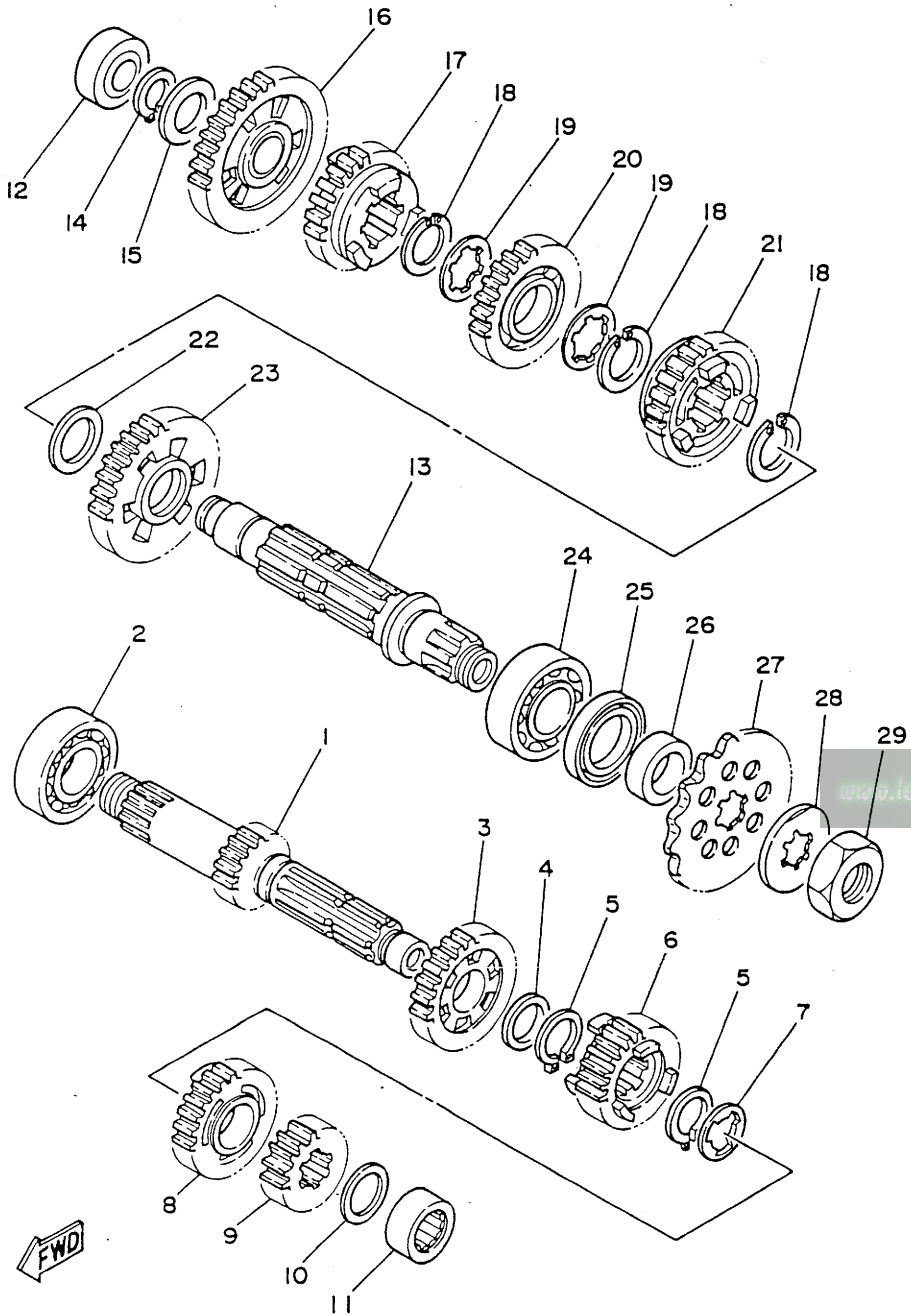
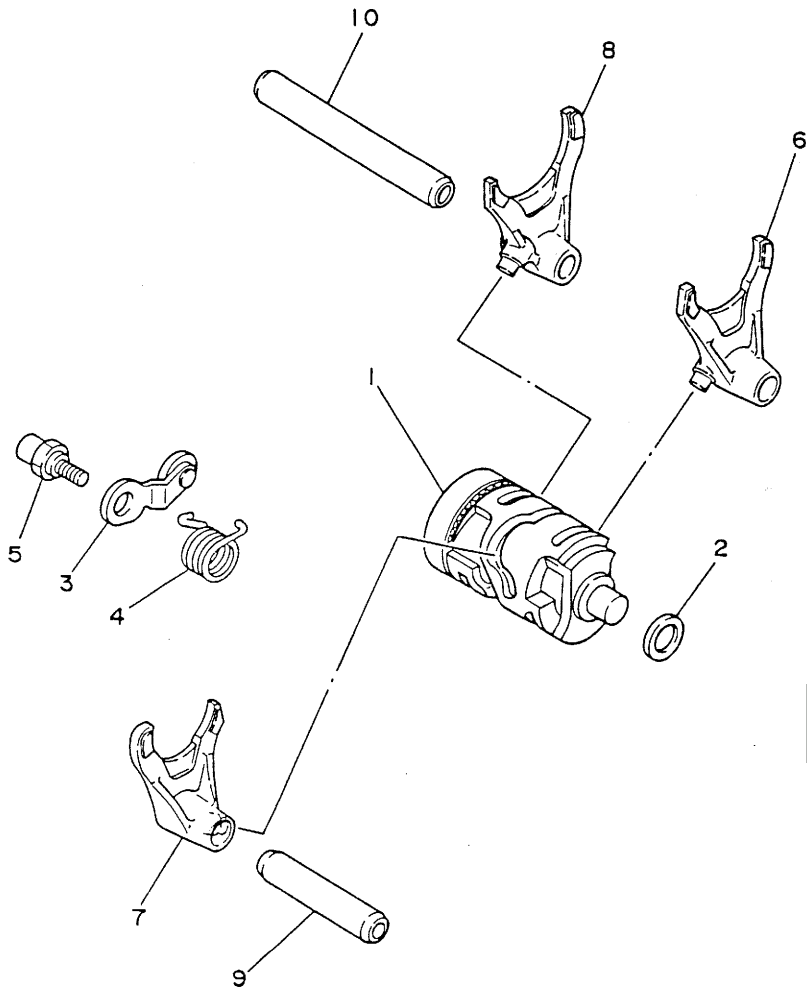


FIG. 14 SHIFT CAM. FORK

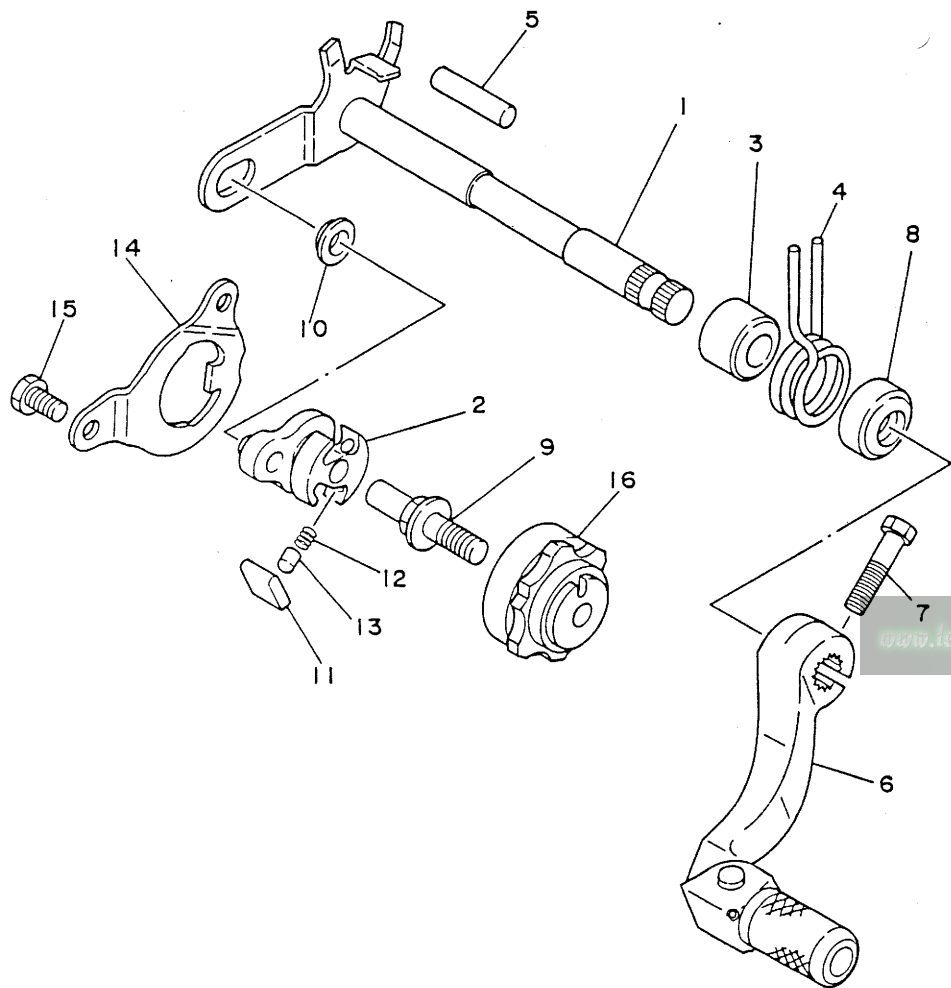
REF. NO.	PART NO.	DESCRIPTION	Q'TY	REMARKS
1	3XK-18540-00	SHIFT CAM ASSY	1	
2	90201-12166	WASHER, plate	1	
3	3XK-18140-00	STOPPER LEVER ASSY	1	
4	90508-26561	SPRING, torsion	1	
5	3XK-18177-00	BOLT, stopper	1	
6	2VM-18511-00	FORK, shift 1	1	
7	2VM-18512-00	FORK, shift 2	1	
8	2VM-18513-00	FORK, shift 3	1	
9	1LX-18531-00	BAR, shift fork guide 1	1	
10	34K-18535-00	BAR, shift fork guide 2	1	



www.legends-yamaha-enduros.com

FWD

FIG. 15 SHIFTER

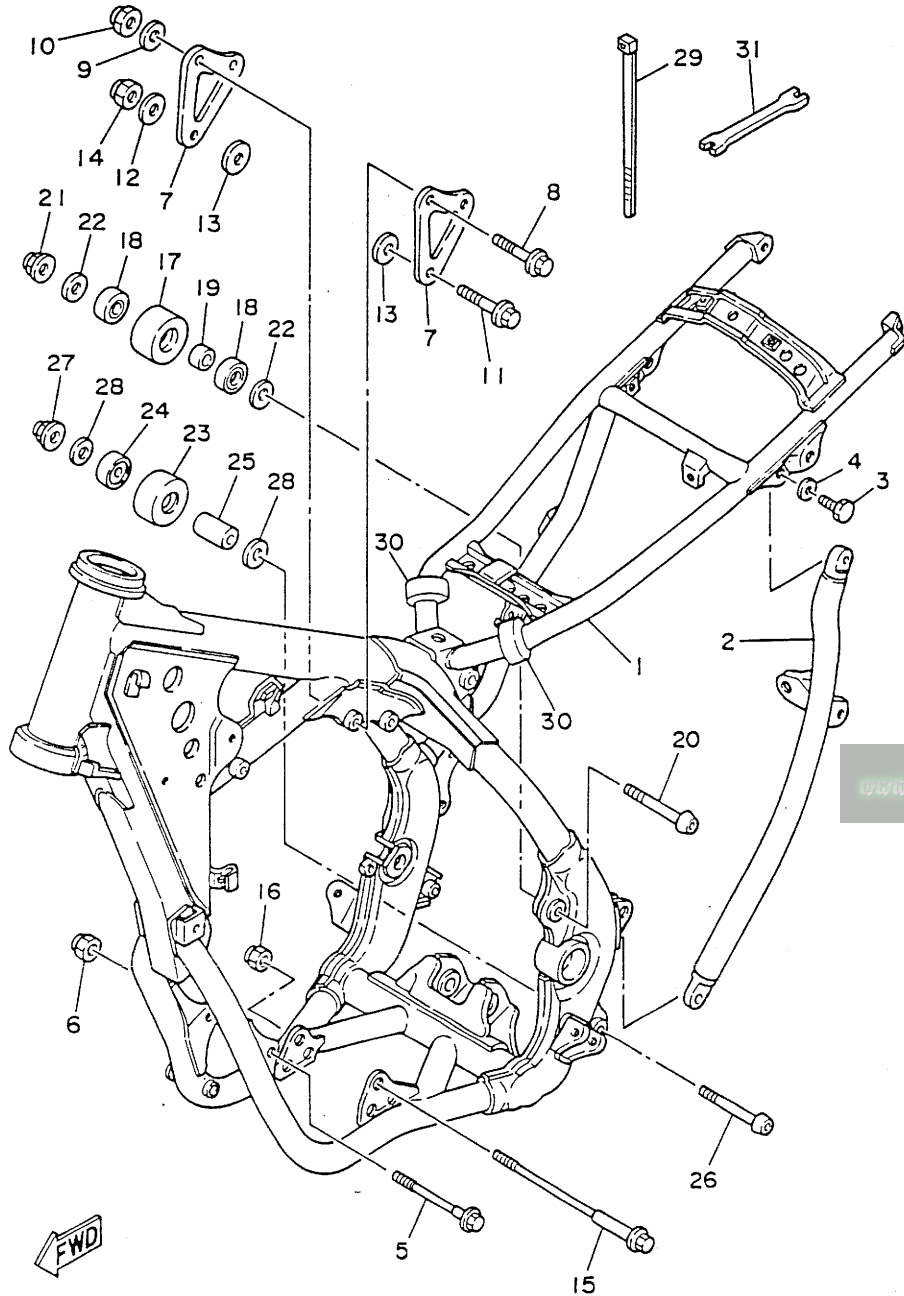


REF. NO.	PART NO.	DESCRIPTION	Q'TY	REMARKS
1	3XK-18101-00	SHIFT SHAFT ASSY	1	
2	3XK-18122-00	LEVER, shift 2	1	
3	90560-12171	SPACER	1	
4	90508-29742	SPRING, torsion	1	
5	93608-33046	PIN, dowel	1	
6	2VM-18110-00	SHIFT PEDAL ASSY	1	
7	98021-06025	BOLT	1	
8	93102-12106	OIL SEAL	1	
9	3XJ-18173-00	PIN, shift	1	
10	3XJ-18178-00	ROLLER, shift lever	1	
11	3XJ-18182-00	PAWL, shifter	2	
12	90501-05265	SPRING, compression	2	
13	3XJ-18184-00	PIN, pawl	2	
14	3XK-18172-00	GUIDE, shift	1	
15	90101-06664	BOLT	2	
16	3XJ-18185-00	SEGMENT	1	

www.legends-yamaha-enduros.com

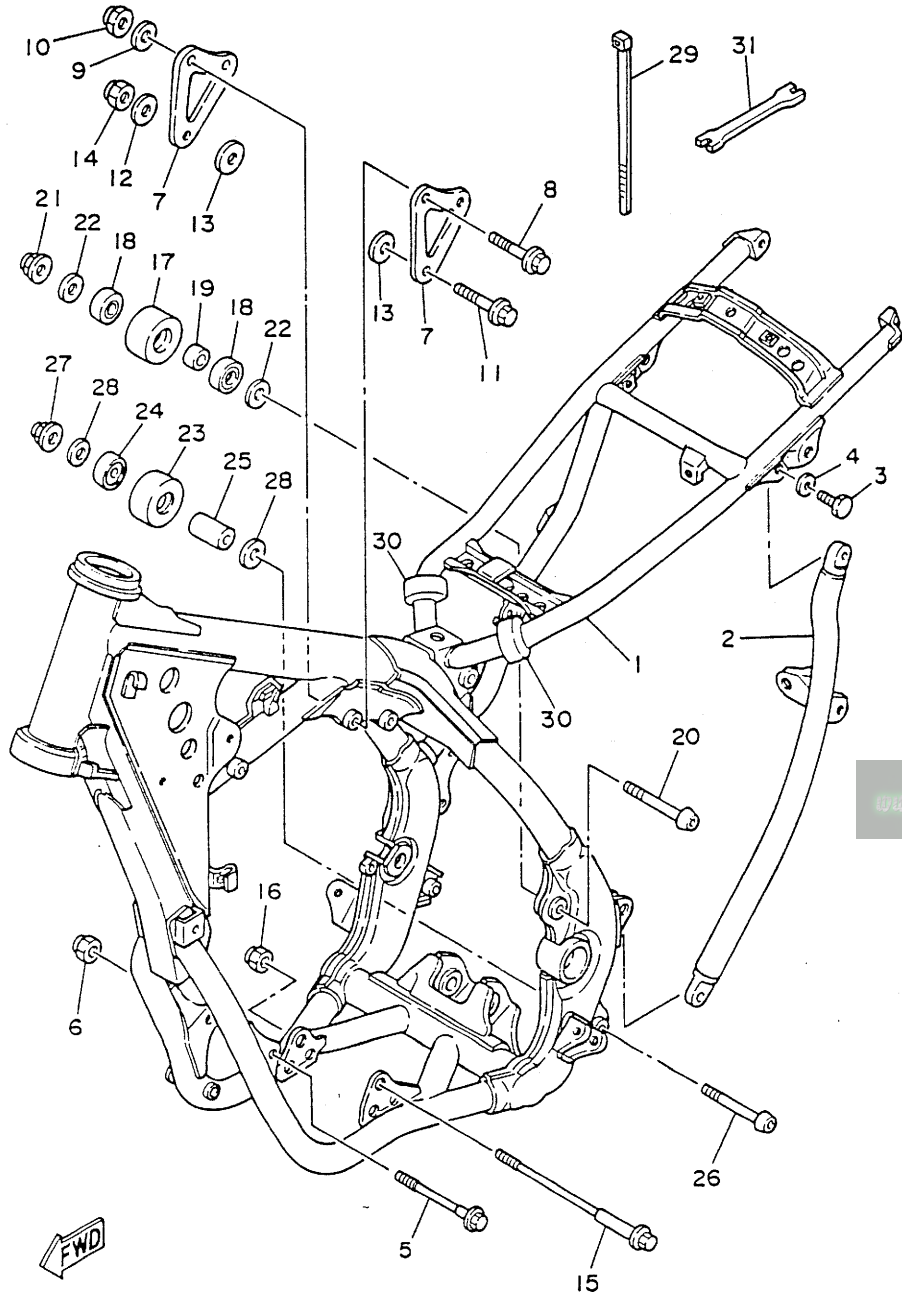
FWD

FIG. 16 FRAME



REF. NO.	PART NO.	DESCRIPTION	Q'TY	REMARKS
1	3XK-21110-00-UJ	FRAME COMP.	1	RADICAL WHITE
2	3XK-21123-00-UJ	BACK, stay lh.	1	RADICAL WHITE
3	90101-08461	BOLT	2	
4	90201-080E2	WASHER, plate	2	
5	90105-08592	BOLT, washer based	1	
6	95611-08200	NUT, self-locking	1	
7	3SP-21425-00	BRACKET, rear upper l	2	
8	91011-08055	BOLT, flange	2	
9	90202-08022	WASHER, plate	2	
10	95601-08200	NUT, self-locking	2	
11	91011-10055	BOLT, flange	1	
12	92990-10200	WASHER, plain	1	
13	90201-101J1	WASHER, plate	2	
14	95601-10200	NUT, self-locking	1	
15	91011-10120	BOLT, flange	1	
16	95611-10200	NUT, self-locking	1	
17	3JD-22178-00	TENSIONER	1	
18	93300-60816	BEARING	2	
19	90387-087K5	COLLAR	1	
20	92011-08070	SCREW	1	
21	95601-08200	NUT, self-locking	1	
22	90201-081A6	WASHER, plate	2	
23	3JD-22178-10	TENSIONER	1	
24	93300-60816	BEARING	1	
25	90387-086N4	COLLAR	1	
26	92011-08070	SCREW	1	
27	95601-08200	NUT, self-locking	1	
28	90201-081A6	WASHER, plate	2	

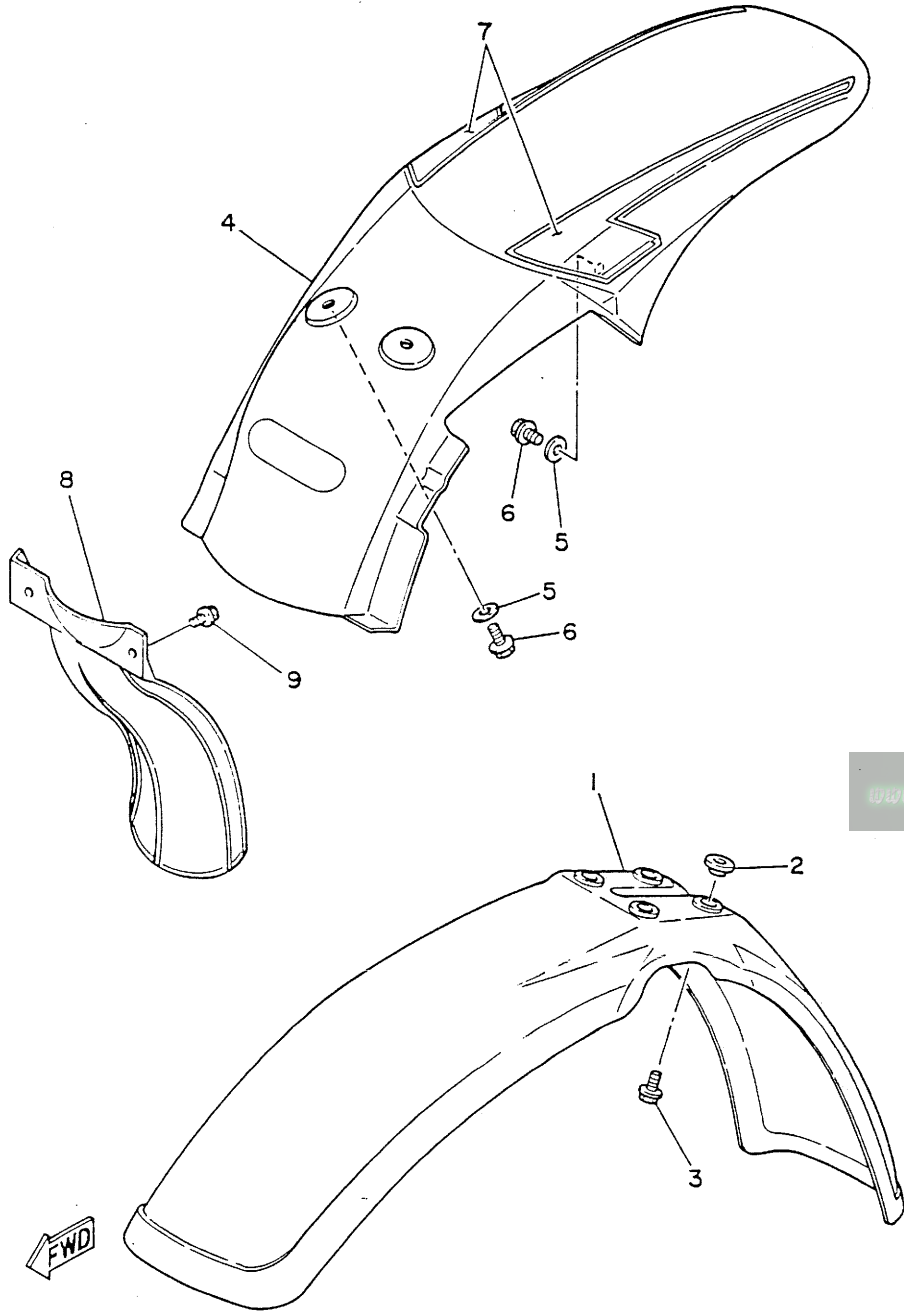
FIG. 16 FRAME



REF. NO.	PART NO.	DESCRIPTION	Q'TY	REMARKS
29	12R-82591-00	BAND	1	
30	3XJ-21717-00	DAMPER, side cover	2	
31	56A-28166-00	WRENCH, hexagon	1	

www.legends-yamaha-enduros.com

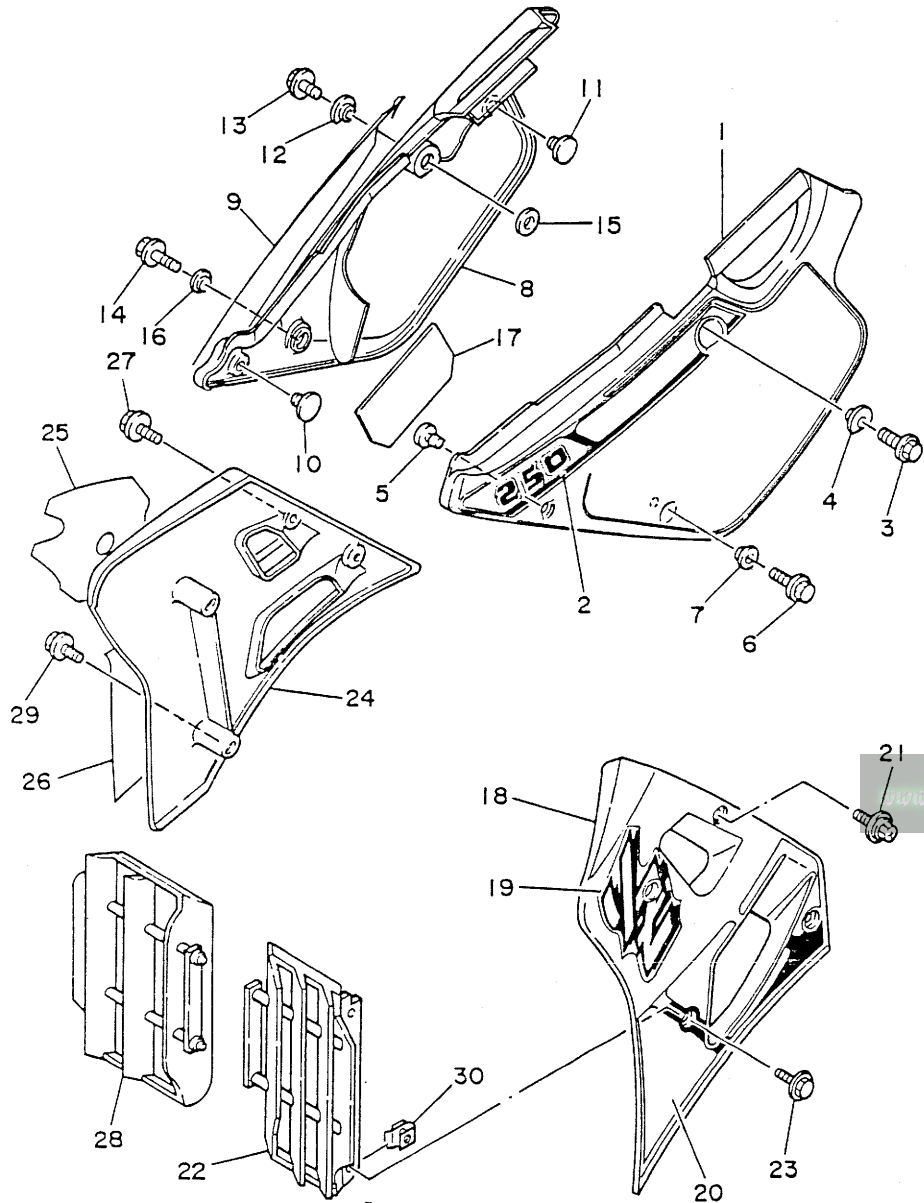
FIG. 17 FENDER



REF. NO.	PART NO.	DESCRIPTION	Q'TY	REMARKS
1	3XK-21511-00	FENDER, front	1	
2	3JD-21748-00	COLLAR	4	
3	90119-06063	BOLT, with washer	4	
4	3XJ-21611-00	FENDER, rear	1	
5	90201-06571	WASHER, plate	4	
6	90105-06553	BOLT, washer based	4	
7	3XJ-2165A-01	GRAPHIC SET, rear fender	1	
8	39X-21642-00	GUARD, flap	1	
9	90119-06185	BOLT, with washer	2	

www.legends-yamaha-enduros.com

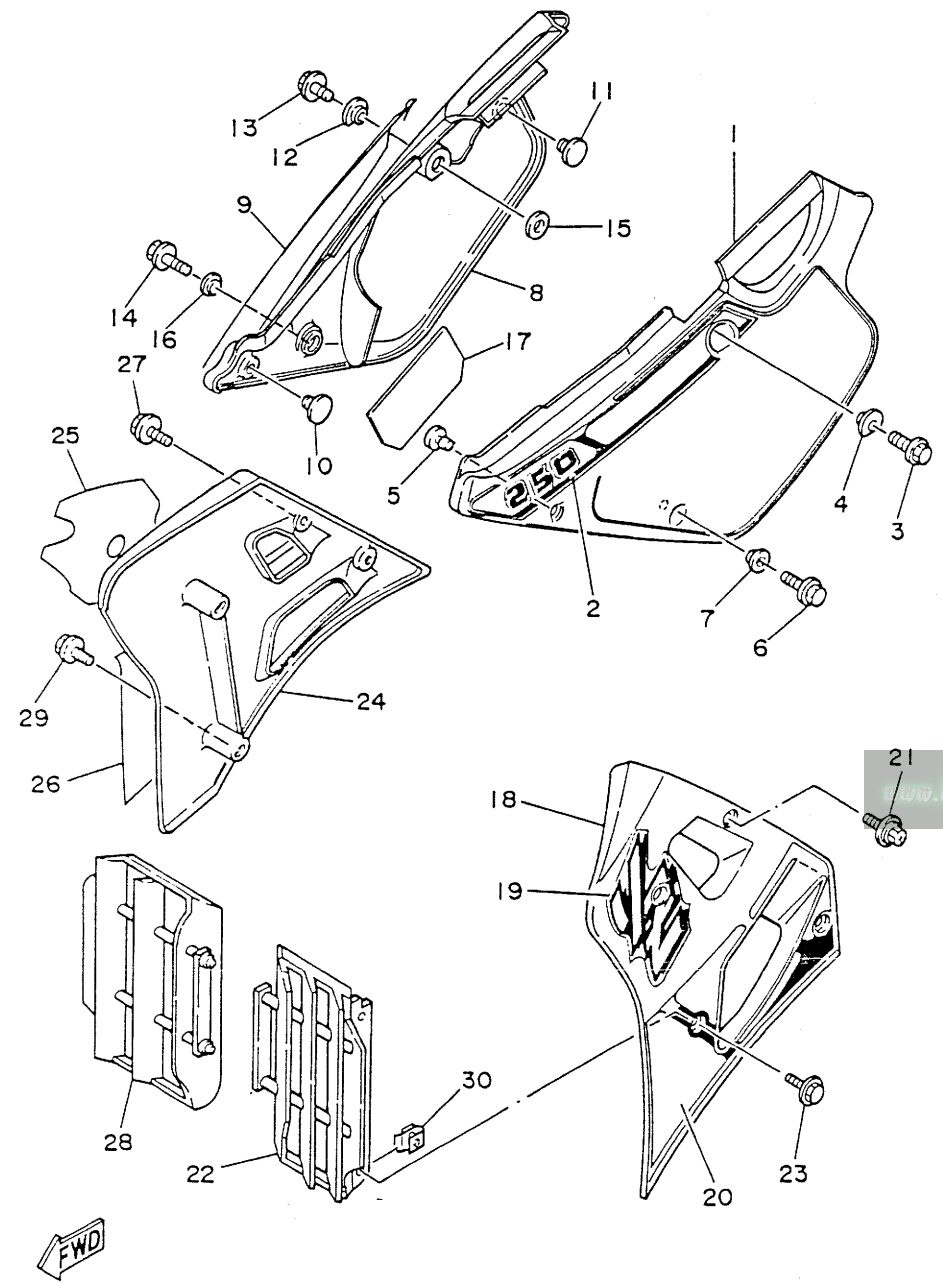
FIG. 18 SIDE COVER



REF. NO.	PART NO.	DESCRIPTION	Q'TY	REMARKS
1	3XJ-21711-00	COVER, side 1	1	
2	3XK-2173L-00	GRAPHIC 1	1	
3	95023-08016	BOLT	1	
4	90387-084X5	COLLAR	1	
5	22W-24181-00	DAMPER, locating 1	1	
6	91021-06016	BOLT, flange	1	
7	90387-064X4	COLLAR	1	
8	3XJ-21721-00	COVER, side 2	1	
9	3XK-2174L-00	GRAPHIC 2	1	
10	22W-24181-00	DAMPER, locating 1	1	
11	3JD-24181-00	DAMPER, locating 1	1	
12	90387-084X5	COLLAR	1	
13	95023-08016	BOLT	1	
14	91021-06012	BOLT, flange	1	
15	92901-08200	WASHER, plain	1	
16	90387-064X4	COLLAR	1	
17	3XJ-2174A-00	INSULATOR, side cover	1	
18	3XK-21731-00	COVER, side 3	1	
19	3XK-24244-00	GRAPHIC, fuel tank 1	1	
20	3XK-24245-00	GRAPHIC, fuel tank 2	1	
21	90119-06192	BOLT, with washer	2	
22	3XJ-2172A-00	PANEL 1	1	
23	90119-05193	BOLT, with washer	2	
24	3XK-21741-00	COVER, side 4	1	
25	3XK-24248-00	GRAPHIC, fuel tank 5	1	
26	3XK-24250-00	GRAPHIC SET	1	
27	90119-06192	BOLT, with washer	2	
28	3XJ-2172A-00	PANEL 1	1	

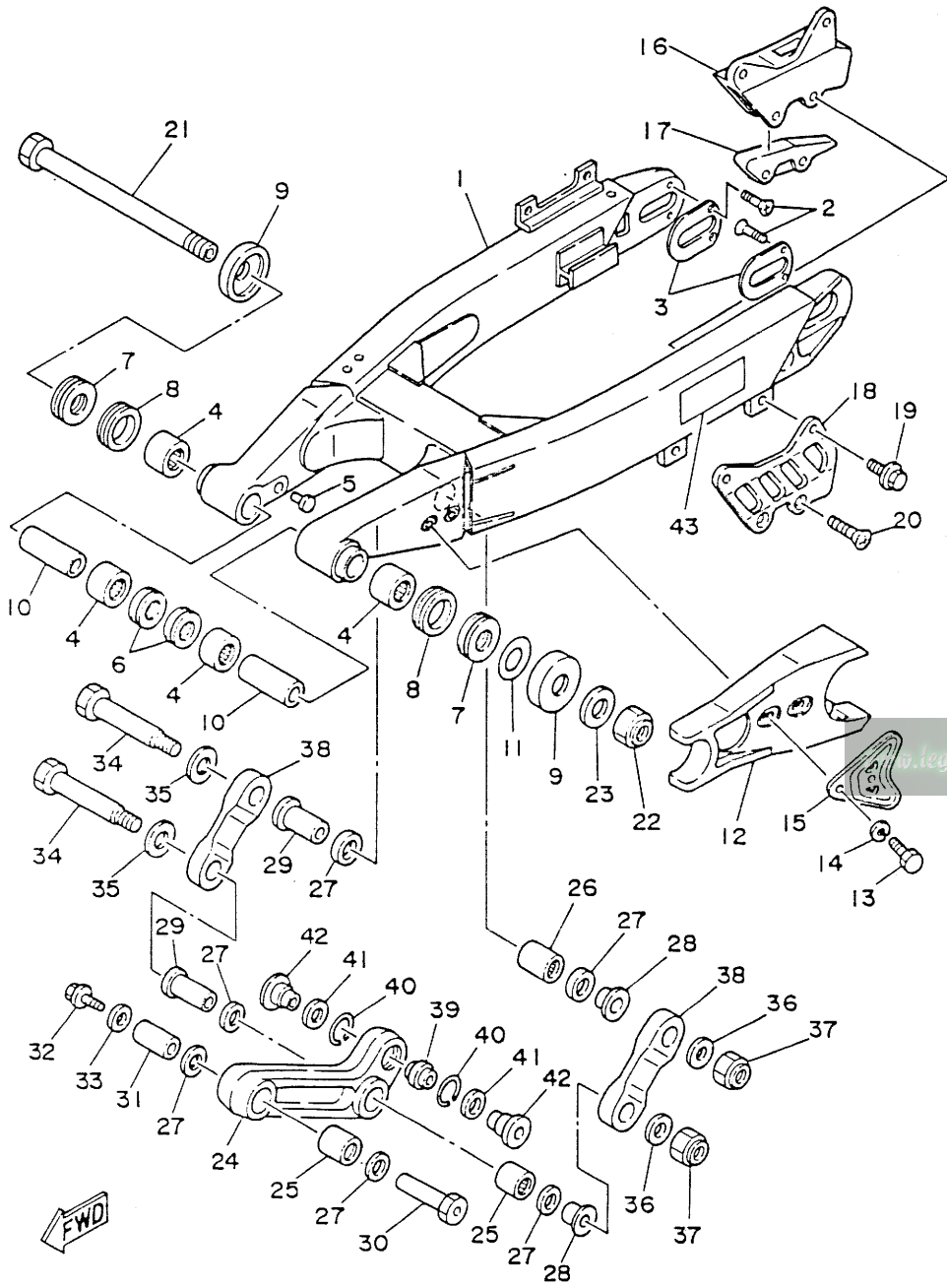
FIG. 18 SIDE COVER

REF. NO.	PART NO.	DESCRIPTION	Q'TY	REMARKS
29	90119-05193	BOLT, with washer	2	
30	22W-21791-00	NUT	4	



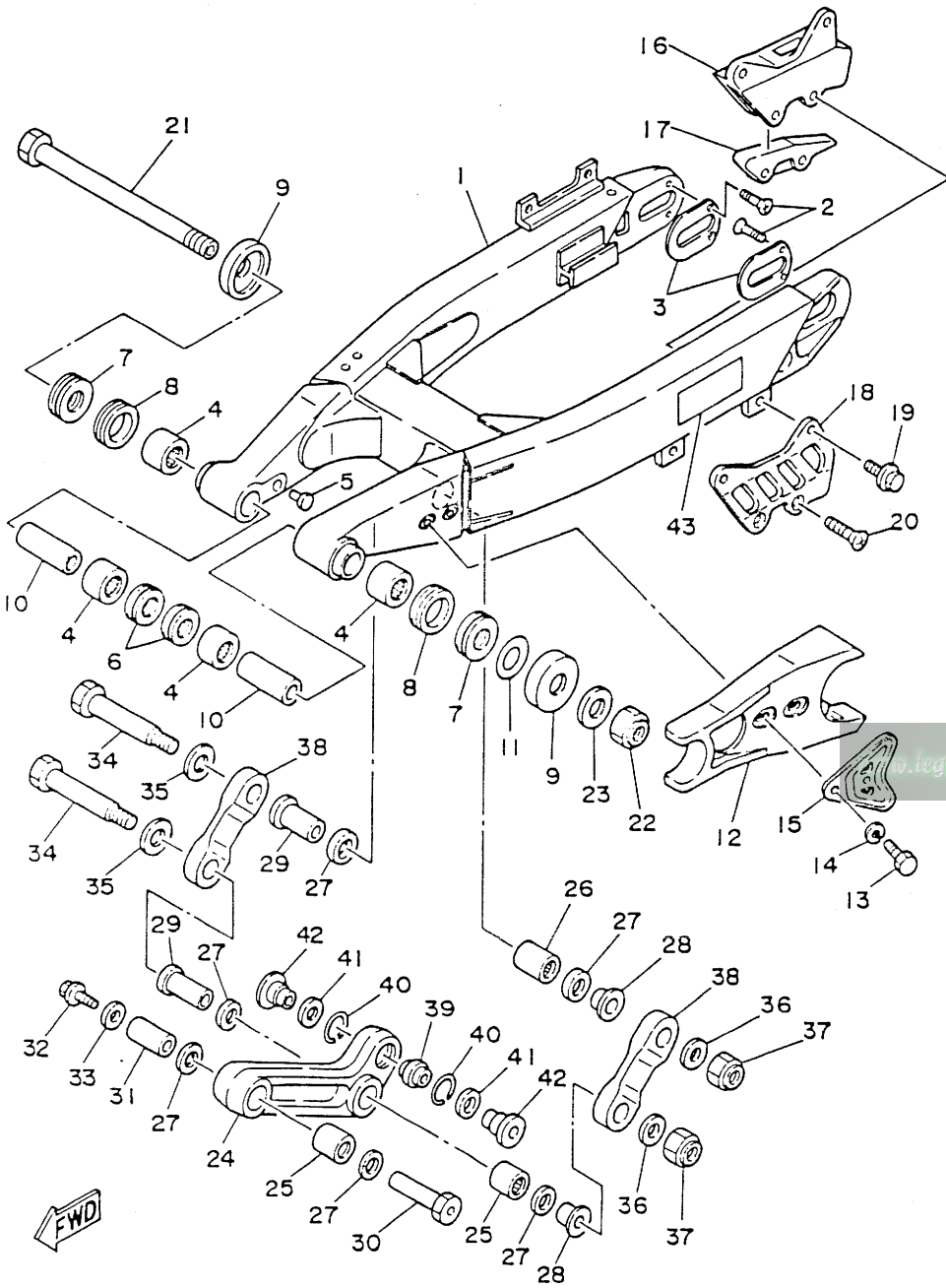
FWD

FIG. 19 REAR ARM



REF. NO.	PART NO.	DESCRIPTION	Q'TY	REMARKS
1	3XJ-22110-01	REAR ARM COMP.	1	
2	98701-04010	SCREW, flat head	4	
3	3XJ-22355-00	PATCH A	2	
4	93317-22263	BEARING, cylindrical	4	
5	90338-10150	PLUG	2	
6	93106-22019	OIL SEAL (DC 22-28-8)	2	
7	93342-22208	BEARING, thrust	2	
8	93108-35004	OIL SEAL (35-41-8)	2	
9	3R4-22129-00	COVER, thrust 2	2	
10	90380-16158	BUSH, solid	2	
11	156-22127-00	SHIM (0.3T)	1	UN
12	3JD-22151-00	SEAL, guard	1	
13	95023-06020	BOLT	2	
14	92990-06100	WASHER, spring	2	
15	3JD-22156-00	WASHER, plate	1	
16	3JD-22199-00	SUPPORT, chain	1	
17	3JD-22147-00	PROTECTOR, chain	1	
18	3JD-22128-00	COVER, thrust 1	1	
19	91001-06020	BOLT, flange	2	
20	98701-06035	SCREW, flat head	2	
21	1LX-22141-00	SHAFT, pivot	1	
22	90185-16127	NUT, self-locking	1	
23	90201-164H4	WASHER, plate	1	
24	3XJ-2217A-00	ARM, relay	1	
25	93315-22046	BEARING, cylindrical	2	
26	93315-22046	BEARING, cylindrical	1	
27	93109-20029	OIL SEAL	6	

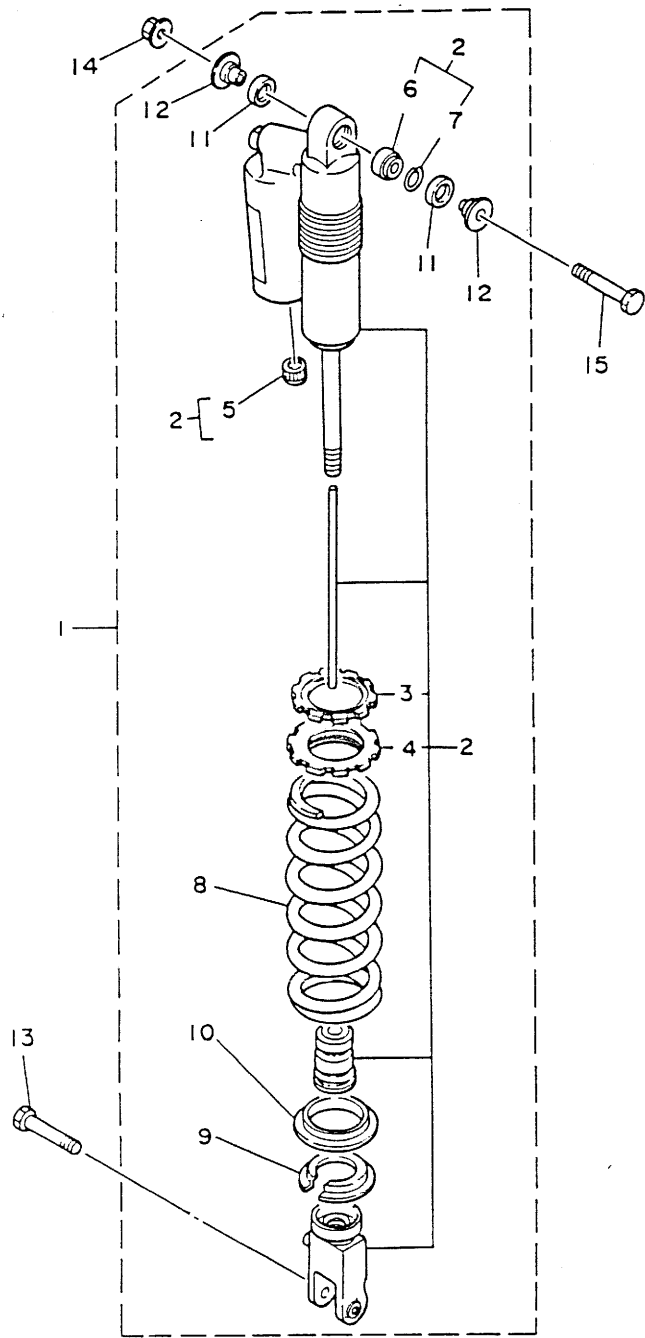
FIG. 19 REAR ARM



REF. NO.	PART NO.	DESCRIPTION	Q'TY	REMARKS
28	90387-164N2	COLLAR	2	
29	90387-164N3	COLLAR	2	
30	90179-10544	NUT	1	
31	90387-167R5	COLLAR	1	
32	91011-10016	BOLT, flange	1	
33	90201-106F2	WASHER, plate	1	
34	90109-142F4	BOLT	2	
35	90201-164H4	WASHER, plate	2	
36	90201-14740	WASHER, plate	2	
37	90185-14070	NUT, self-locking	2	
38	3XJ-2217F-00	ROD, connecting 1	2	
39	93399-99921	BEARING	1	
40	93440-30113	CIRCLIP	2	
41	3XJ-22475-00	SEAL, dust	2	
42	90387-103X9	COLLAR	2	
43	3XJ-2218A-00	EMBLEM, rear arm	2	

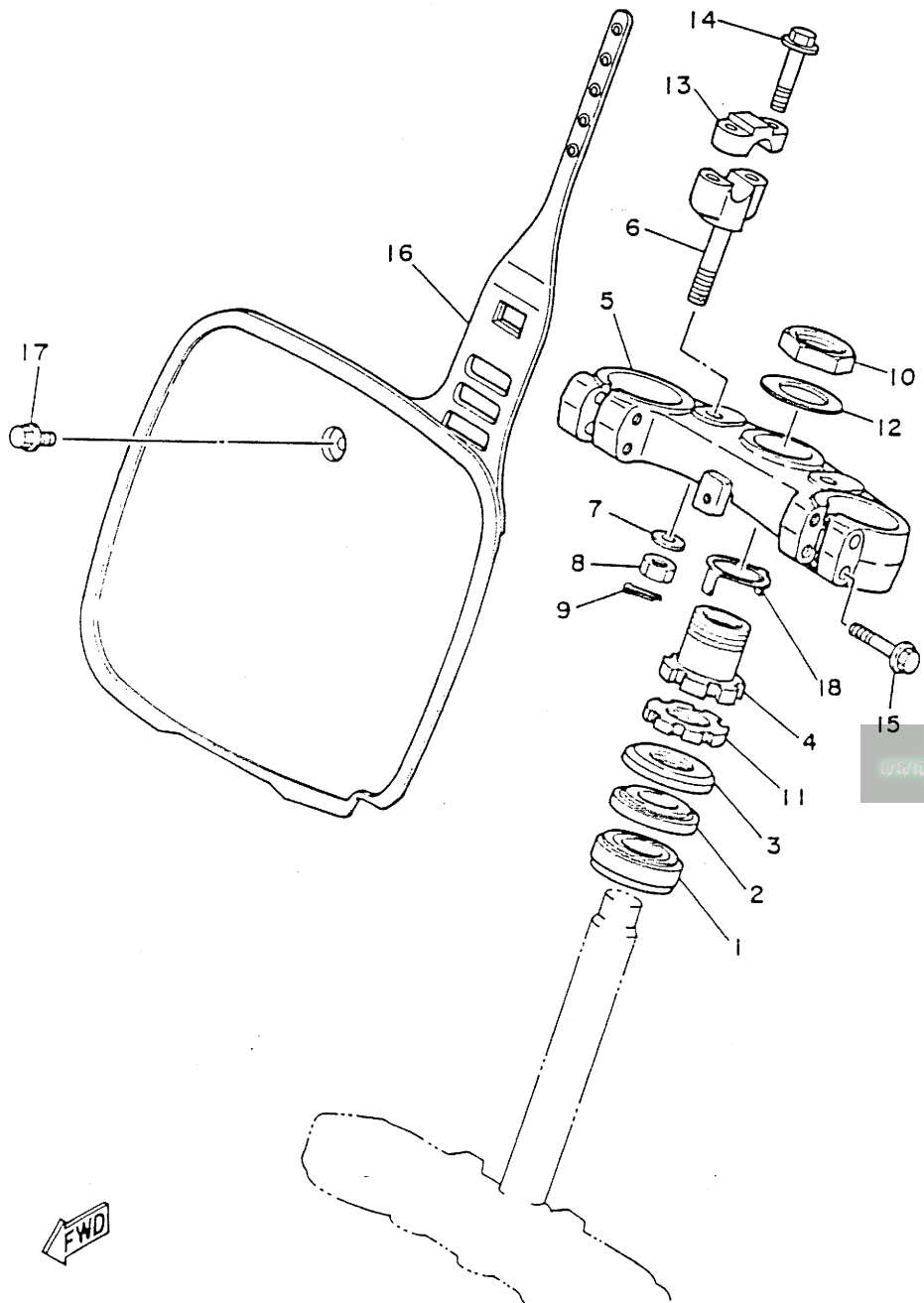
FIG. 20 REAR SUSPENSION

REF. NO.	PART NO.	DESCRIPTION	Q'TY	REMARKS
1	3XK-22210-00	SHOCK ABSORBER ASSY, rear	1	
2	3XK-22201-00	.DAMPER SUB ASSY	1	
3	3SP-22234-00	..GUIDE, spring 3	1	
4	3SP-22213-00	..SEAT, spring upper	1	
5	3JD-22417-00	..PLUG	1	
6	3JD-22216-00	..BUSH, rear shock absorber	1	
7	3JD-22215-00	..RING, cover	1	
8	3XK-22212-00	.SPRING (K=5.0)	1	
	3XK-22212-30	.SPRING (K=5.2)	1	
9	3JD-22214-00	.GUIDE, spring 1	1	
10	3JD-22224-00	.GUIDE, spring 2	1	
11	3JD-22475-00	.SEAL, dust	2	
12	3XJ-22253-00	.COLLAR, distance	2	
13	90105-10614	BOLT, washer based	1	
14	95611-10200	NUT, self-locking	1	
15	3SP-22241-00	BOLT 1	1	



FWD

FIG. 21 STEERING

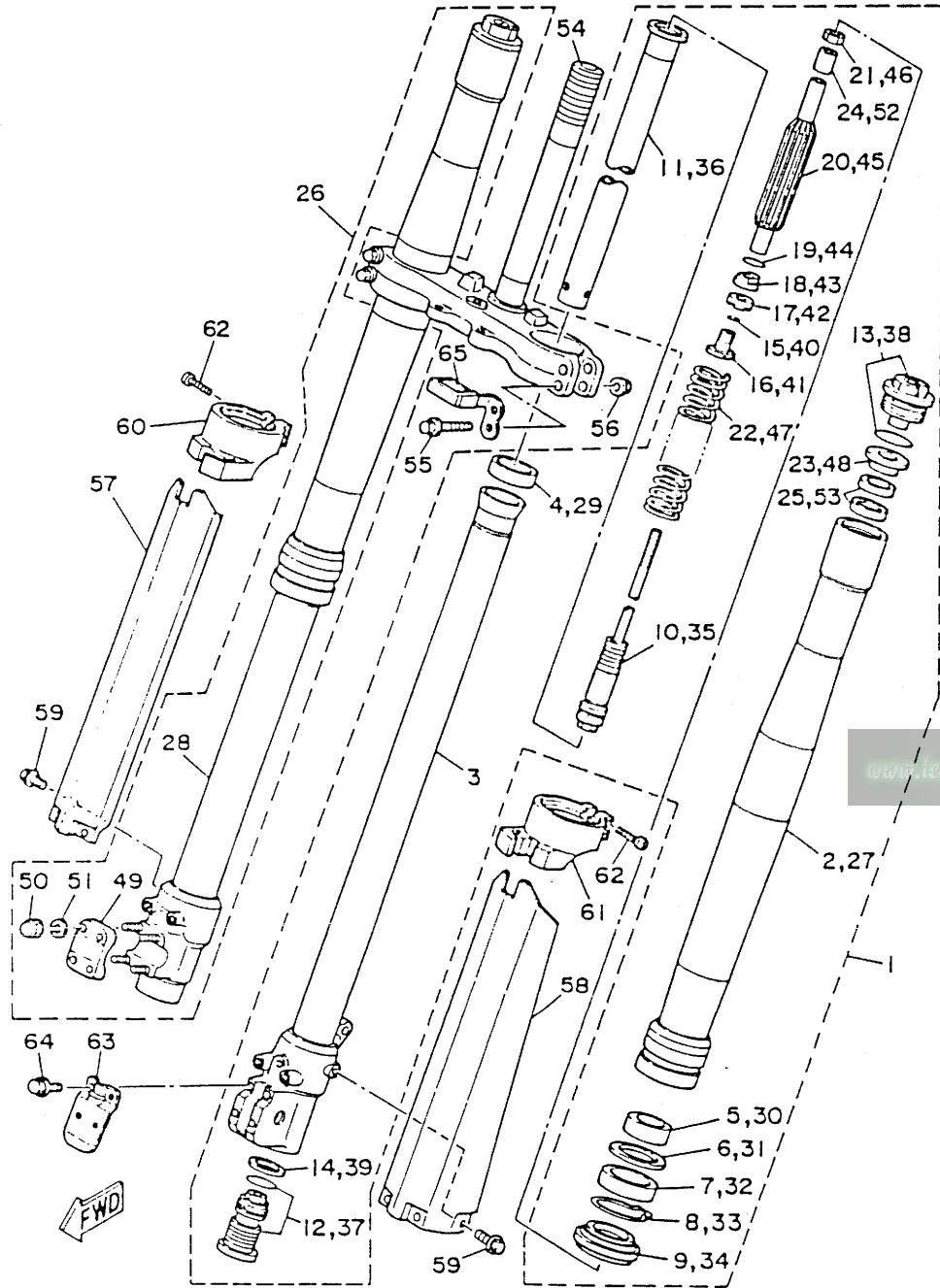


REF. NO.	PART NO.	DESCRIPTION	Q'TY	REMARKS
1	93332-00067	BEARING	1	
2	93332-00068	BEARING	1	
3	2HG-23416-00	COVER, ball race 2	1	
4	90179-28603	NUT	1	
5	3XK-23435-00	CROWN, handle	1	
6	3SP-23442-00	HOLDER, handle lower	2	
7	92990-12200	WASHER, plain	2	
8	95611-12100	NUT, u	2	
9	91401-25020	PIN, cotter	2	
10	90170-36394	NUT	1	
11	90179-28602	NUT	1	
12	90201-365M5	WASHER, plate	1	
13	3SP-23441-00	HOLDER, handle upper	2	
14	95023-08035	BOLT	4	
15	95023-08050	BOLT	4	
16	3XJ-23485-01	PLATE, number	1	
17	90119-06185	BOLT, with washer	1	
18	3SP-23418-00	WASHER, special	1	

FWD

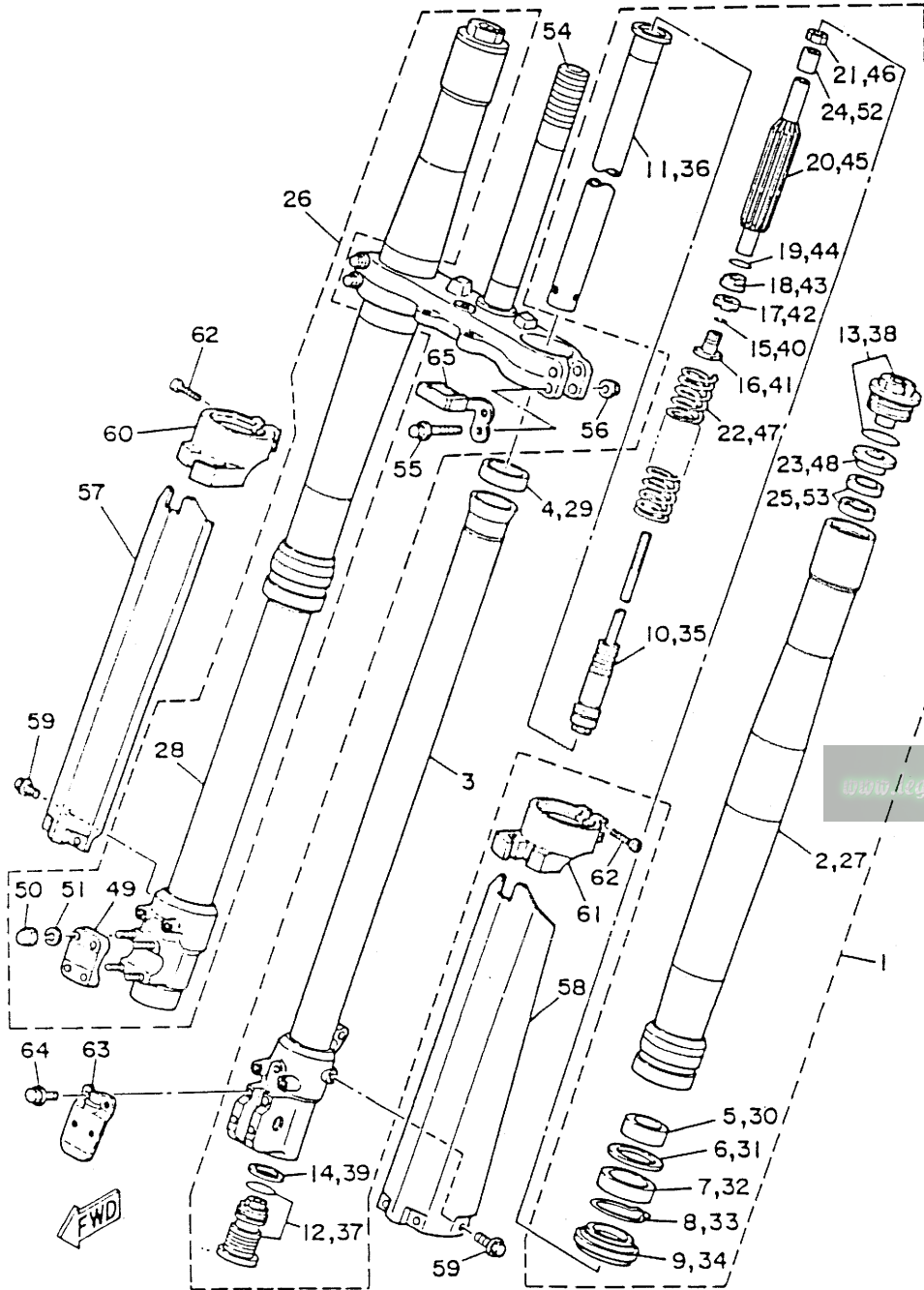
www.legends-yamaha-enduros.com

FIG. 22 FRONT FORK



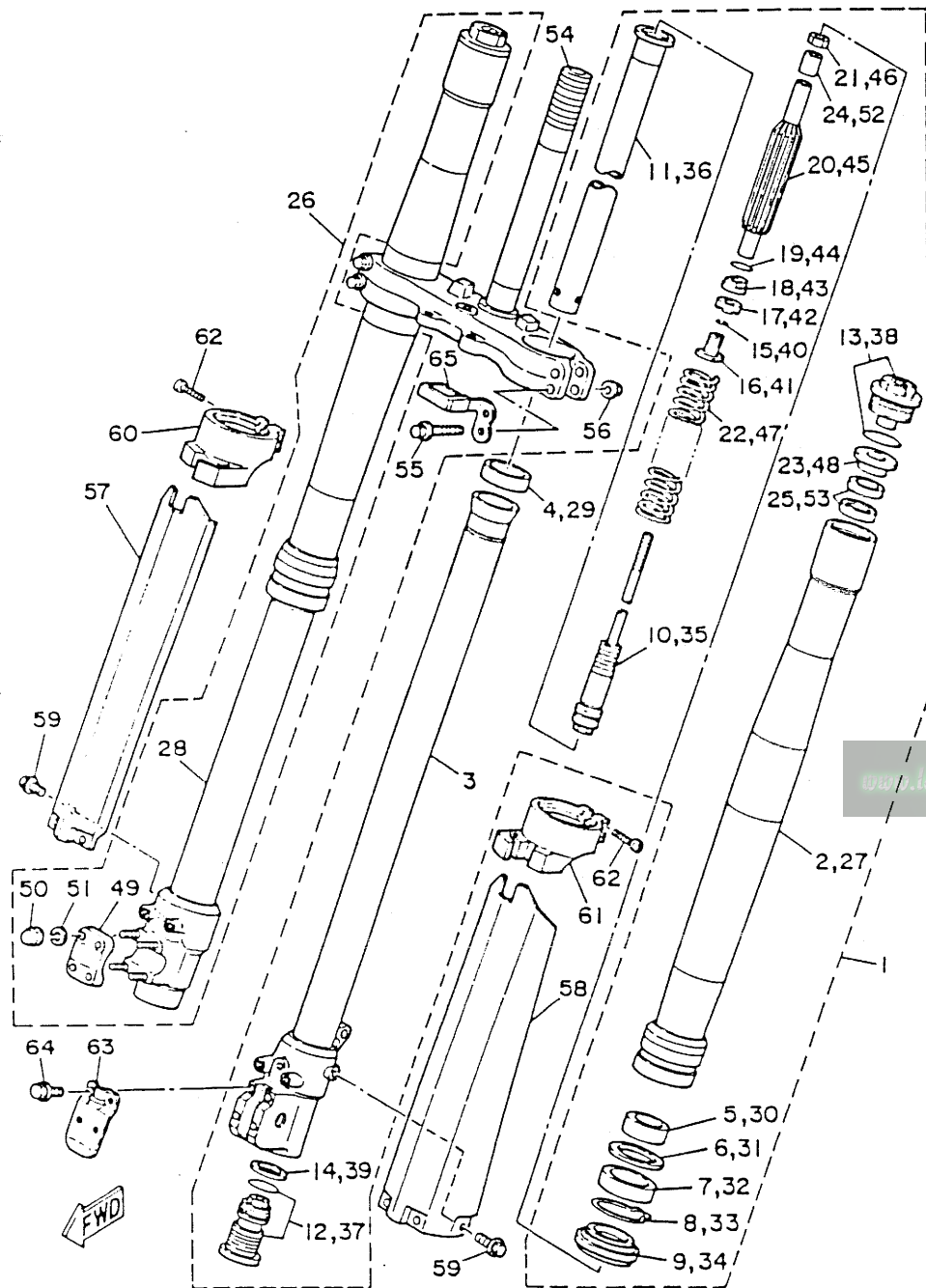
REF. NO.	PART NO.	DESCRIPTION	Q'TY	REMARKS
1	3XK-23102-LO	FRONT FORK ASSY (L.H)	1	
2	3XJ-23136-LO	.TUBE, outer 2	1	
3	3XJ-23120-LO	.INNER TUBE COMP.2	1	
4	3XJ-23171-LO	.PISTON, front fork	1	
5	3XJ-23125-LO	.METAL, slide 1	1	
6	4V4-23146-LO	.WASHER, oil seal	1	
7	3XJ-23145-LO	.OIL SEAL	1	
8	4V4-23153-LO	.RING, snap	1	
9	3XJ-23144-LO	.SEAL, dust	1	
10	3XJ-2314A-LO	.PISTON ROD ASSY	1	
11	3XJ-23170-LO	.CYLINDER COMP., front fork	1	
12	3XJ-2316A-LO	.VALVE COMP.	1	
13	3XJ-23111-LO	.BOLT, cap	1	
14	2HH-23158-LO	.GASKET	1	
15	3XJ-23153-LO	.RING, snap	2	
16	3XJ-23113-LO	.COLLAR	1	
17	3XJ-23166-LO	.SPACER, oil lock	1	
18	3XJ-23778-LO	.NUT	1	
19	36Y-23147-10	.O-RING	1	
20	3XJ-23142-LO	.SEAT, spring upper	1	
21	3XJ-23357-LO	.NUT	1	
22	3XK-23141-LO	.SPRING, front fork (K=0.390)	1	UR
23	3XJ-23143-LO	.SEAT, spring lower	1	
24	3XJ-23363-LO	.COLLAR 1	1	
25	3XJ-23364-LO	.COLLAR 2	2	

FIG. 22 FRONT FORK



REF. NO.	PART NO.	DESCRIPTION	Q'TY	REMARKS
26	3XK-23103-LO	FRONT FORK ASSY (R.H)	1	
27	3XJ-23136-LO	.TUBE, outer 2	1	
28	3XJ-23110-LO	.INNER TUBE COMP.1	1	
29	3XJ-23171-LO	.PISTON, front fork	1	
30	3XJ-23125-LO	.METAL, slide 1	1	
31	4V4-23146-LO	.WASHER, oil seal	1	
32	3XJ-23145-LO	.OIL SEAL	1	
33	4V4-23153-LO	.RING, snap	1	
34	3XJ-23144-LO	.SEAL, dust	1	
35	3XJ-2314A-LO	.PISTON ROD ASSY	1	
36	3XJ-23170-LO	.CYLINDER COMP., front fork	1	
37	3XJ-2316A-LO	.VALVE COMP.	1	
38	3XJ-23111-LO	.BOLT, cap	1	
39	2HH-23158-LO	.GASKET	1	
40	3XJ-23153-LO	.RING, snap	2	
41	3XJ-23113-LO	.COLLAR	1	
42	3XJ-23166-LO	.SPACER, oil lock	1	
43	3XJ-23778-LO	.NUT	1	
44	36Y-23147-10	.O-RING	1	
45	3XJ-23142-LO	.SEAT, spring upper	1	
46	3XJ-23357-LO	.NUT	1	
47	3XK-23141-LO	.SPRING, front fork (K=0.390)	1	
48	3XJ-23143-LO	.SEAT, spring lower	1	
49	3XJ-23167-LO	.HOLDER, axle	1	
50	5Y3-23393-00	.NUT, special	4	

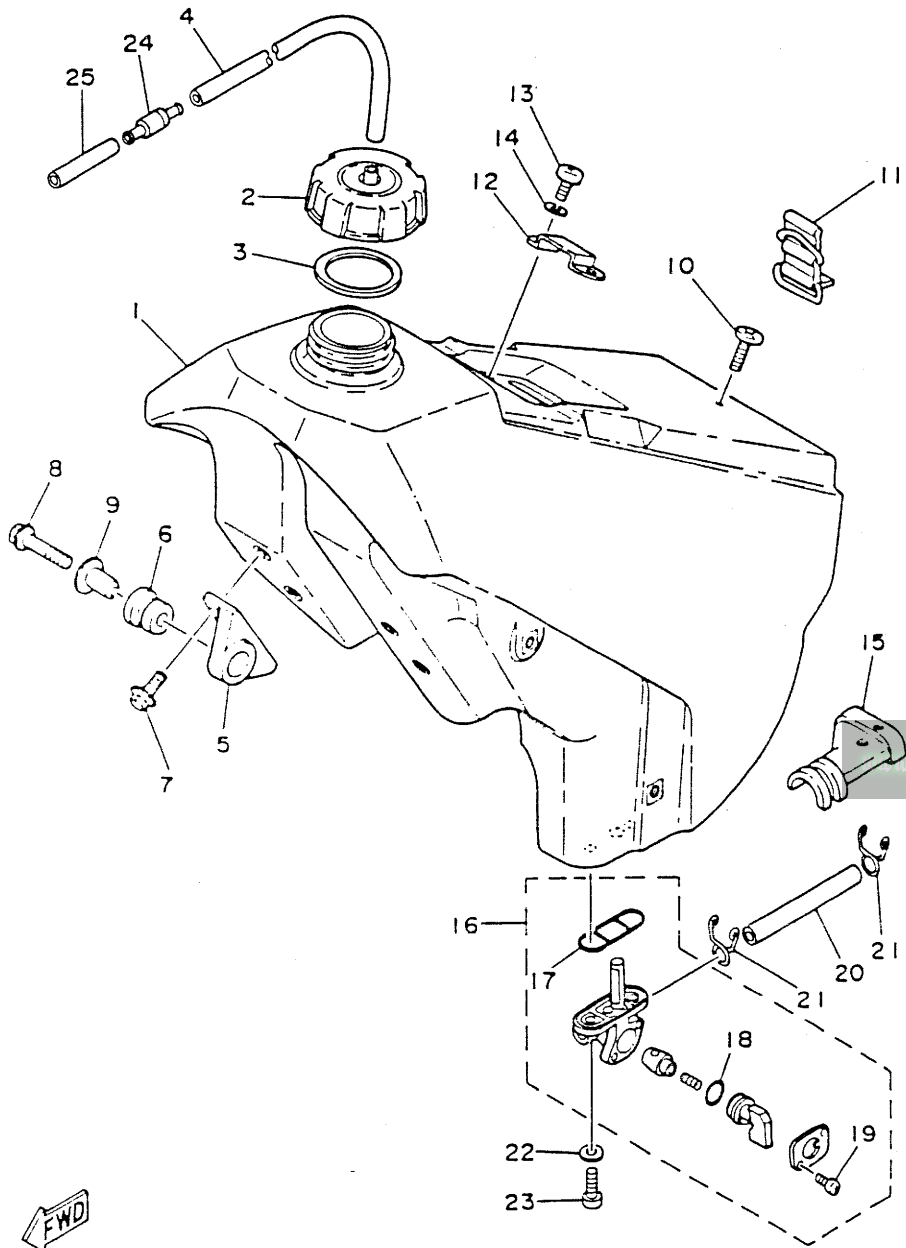
FIG. 22 FRONT FORK



REF. NO.	PART NO.	DESCRIPTION	Q'TY	REMARKS
51	92990-06100	.WASHER, spring	4	
52	3XJ-23363-LO	.COLLAR 1	1	
53	3XJ-23364-LO	.COLLAR 2	2	
54	3XJ-23340-LO	UNDER BRACKET COMP.	1	
55	95021-08060	BOLT, flange	4	
56	95701-08500	NUT, flange	4	
57	3XJ-2314J-LO	PROTECTOR COMP., 2	1	
58	3XJ-2314H-LO	PROTECTOR COMP., 1	1	
59	3SP-23356-LO	BOLT 2	6	
60	3SP-2314G-LO	PROTECTOR GUIDE COMP., 2	1	
61	3SP-2314F-LO	PROTECTOR GUIDE COMP., 1	1	
62	3XJ-23194-LO	SCREW, boot band	4	
63	3SP-2314E-LO	COVER, hose	1	
64	3SP-23346-LO	BOLT 1	4	
65	3JD-23389-01	GUIDE, cable	1	

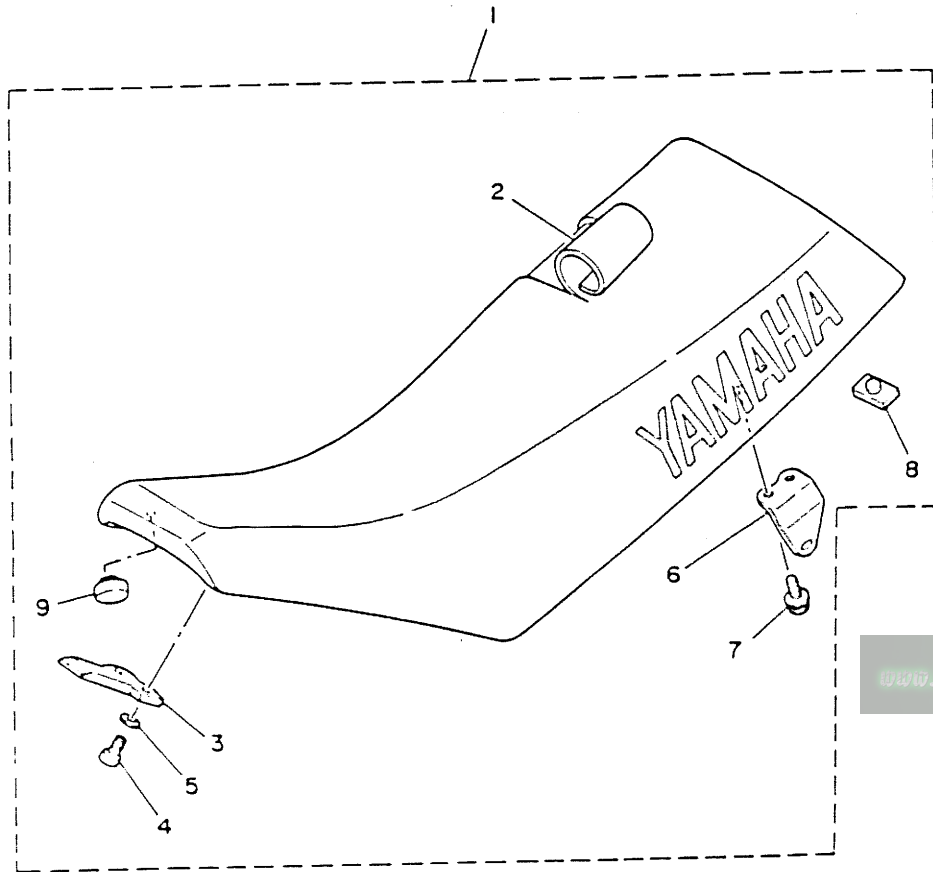
www.legends-yamaha-enduros.com

FIG. 23 FUEL TANK



REF. NO.	PART NO.	DESCRIPTION	Q'TY	REMARKS
1	3XK-24110-00	FUEL TANK COMP.	1	
2	5X7-24611-01	BODY, cap	1	
3	5X7-24612-00	GASKET, cap	1	
4	90445-09100	HOSE	1	
5	24X-24144-00	HOLDER, damper	2	
6	90480-18354	GROMMET	2	
7	95023-06016	BOLT	4	
8	95023-06035	BOLT	2	
9	3JD-24186-00	WASHER, special	2	
10	98980-06020	SCREW, bind	1	
11	3SP-24173-00	BAND, tank fitting	1	
12	5X6-2412F-00	BRACKET, seat	1	
13	97003-06012	BOLT	2	
14	92990-06100	WASHER, spring	2	
15	1LX-24181-00	DAMPER, locating	1	
16	2VN-24500-00	FUEL COCK ASSY	1	
17	4X8-24512-00	O-RING	1	
18	4X8-24534-00	SEAL, cock	1	
19	98503-03008	SCREW, pan head	2	
20	1RK-24311-00	PIPE, fuel	1	
21	90467-10008	CLIP	2	
22	90202-05193	WASHER, plate	2	
23	90149-06011	SCREW	2	
24	3XJ-24380-00	PIPE JOINT ASSY	1	
25	90445-09058	HOSE	1	

FIG. 24 SEAT



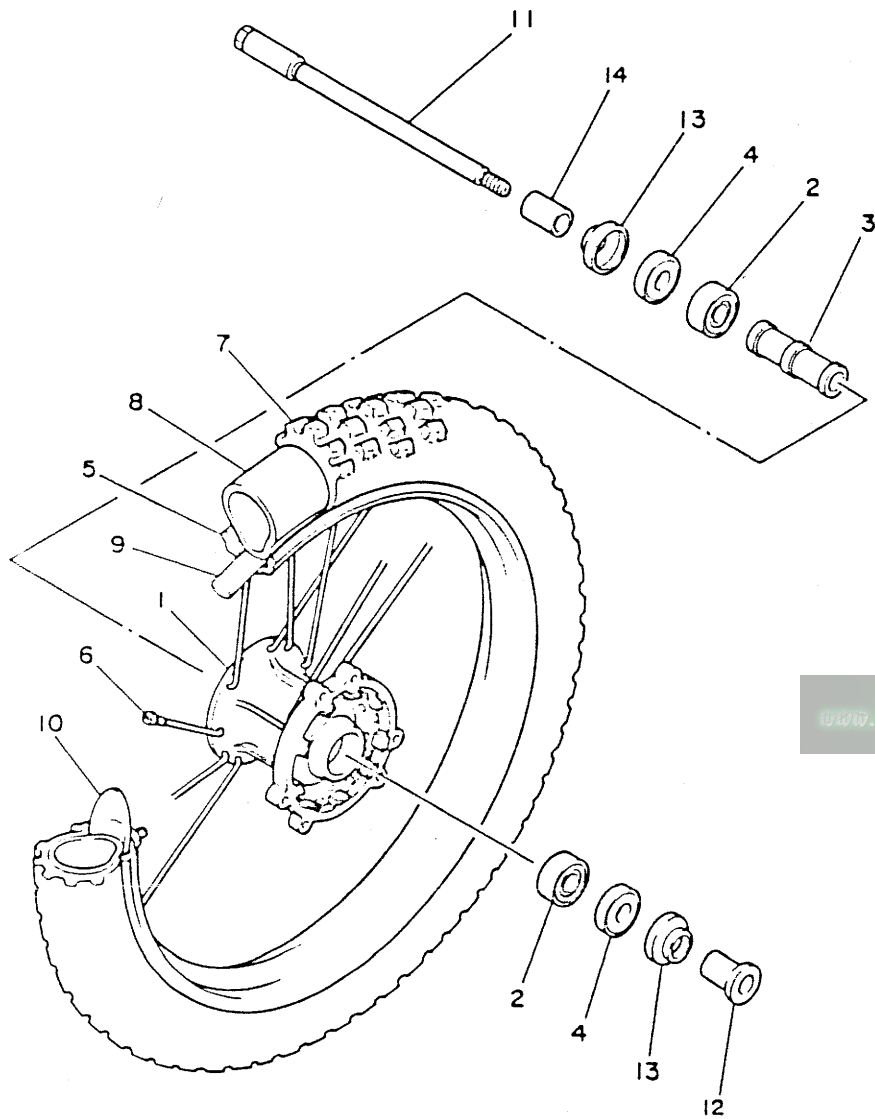
REF. NO.	PART NO.	DESCRIPTION	Q'TY	REMARKS
1	3XJ-24770-00	SEMI-DOUBLE SEAT ASSY	1	UR
	3XJ-24770-10	SEMI-DOUBLE SEAT ASSY	1	UR FOR JAPAN
2	3XJ-24731-00	.COVER, seat	1	UR
	3XJ-24731-10	.COVER, seat	1	UR FOR JAPAN
3	5X6-24748-10	.BRACKET, seat	1	
4	98501-06012	.SCREW, pan head	2	
5	92901-06600	.WASHER, plate	2	
6	1LX-24738-01	.BRACKET, seat	2	
7	95023-06012	.BOLT	4	
8	509-24724-00	.DAMPER, seat	1	
9	3L7-24724-00	.DAMPER, seat	2	

www.legends-yamaha-enduros.com



FIG. 25 FRONT WHEEL

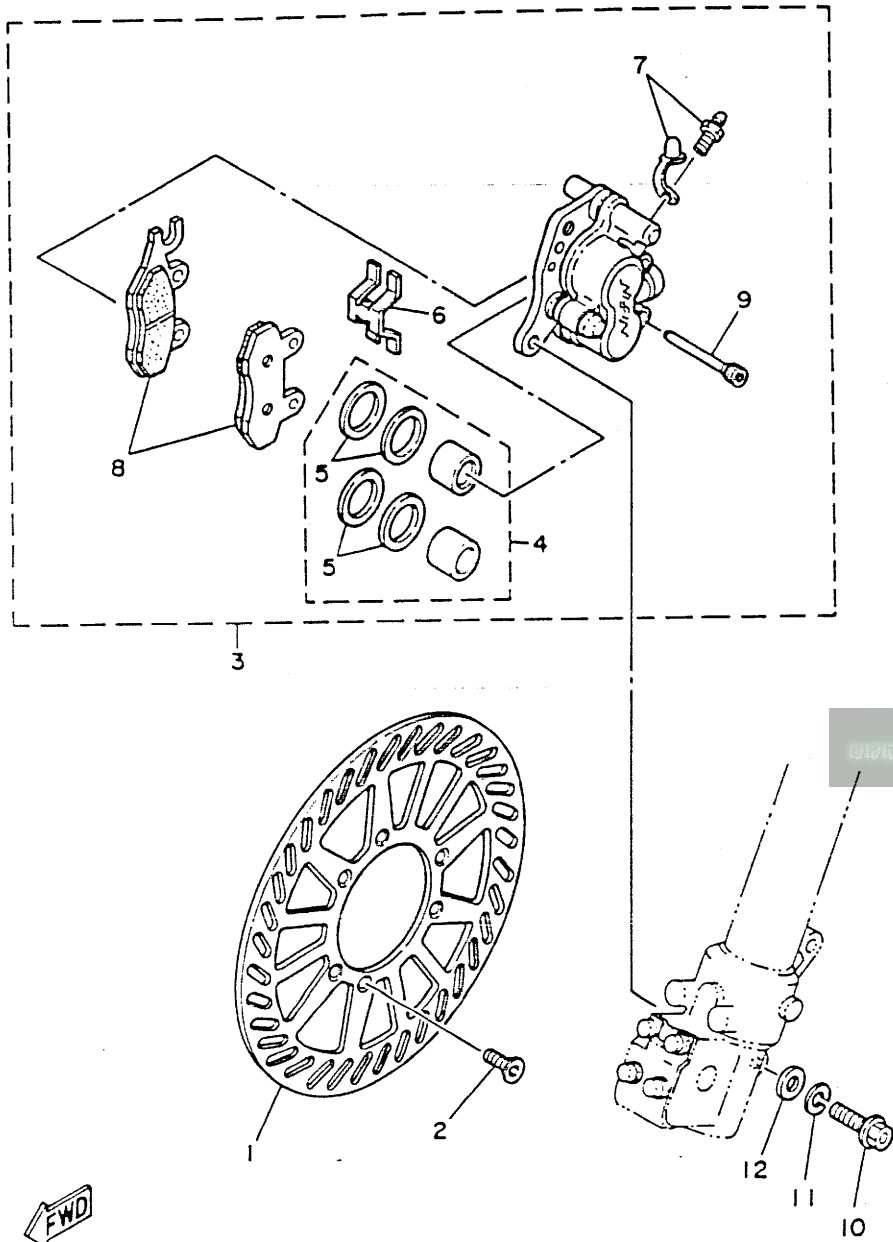
REF. NO.	PART NO.	DESCRIPTION	Q'TY	REMARKS
1	3SP-25111-00	HUB, front	1	
2	93306-20209	BEARING	2	
3	90560-15352	SPACER	1	
4	93102-20281	OIL SEAL	2	
5	94416-21453	RIM (1.60-21)	1	
6	1LX-25104-00	SPOKE SET, front	1	
7	80/100 x 21	TIRE	1	BRIDGESTONE M51
8	275 x 21	TUBE	1	
9	94330-21084	BAND, rim	1	
10	5X2-25394-00	SPACER, bead	1	
11	55U-25181-01	AXLE, wheel	1	
12	90387-152V1	COLLAR	1	
13	322-25118-00	COVER, hub dust	2	
14	90387-151V9	COLLAR	1	



FWD

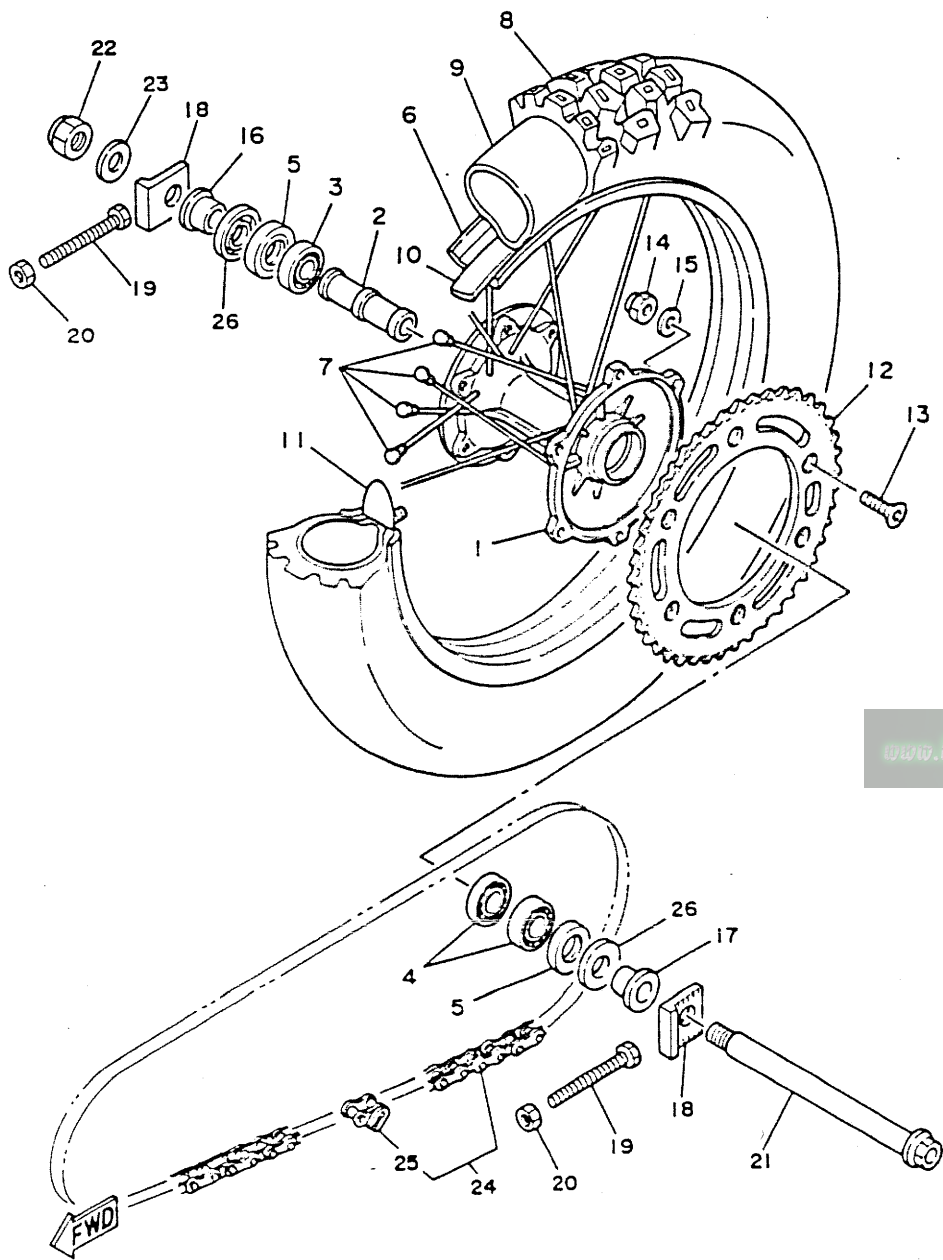
FIG. 26 FRONT BRAKE CALIPER

REF. NO.	PART NO.	DESCRIPTION	Q'TY	REMARKS
1	3SP-2582T-00	DISC, brake	1	
2	90149-06272	SCREW	6	
3	3SP-2580T-00	CALIPER ASSY (LEFT)	1	
4	3JD-W0057-00	.PISTON ASSY, caliper	1	
5	3JD-W0047-00	..CALIPER SEAL KIT	1	
6	3JD-25919-00	.SUPPORT, pad	1	
7	1UY-W0048-50	.BREED SCREW KIT	1	
8	3SP-W0045-00	.BRAKE PAD KIT	1	
9	3GD-25933-00	.PIN, pad	2	
10	97301-08040	BOLT	2	
11	92990-08100	WASHER, spring	2	
12	92901-08600	WASHER, plate	2	



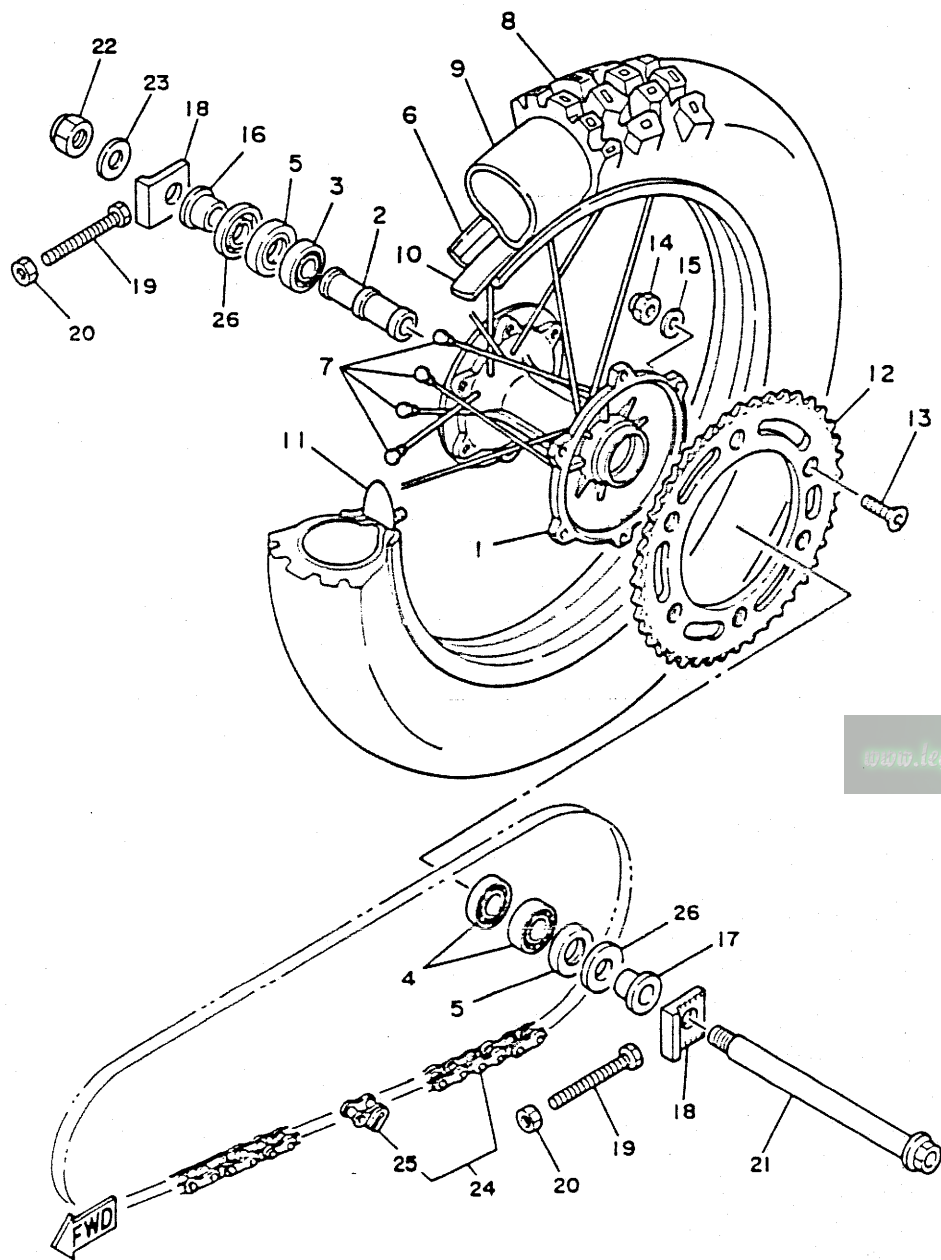
FWD

FIG. 27 REAR WHEEL



REF. NO.	PART NO.	DESCRIPTION	Q'TY	REMARKS
1	3SP-25311-00	HUB, rear	1	
2	3JD-25317-01	SPACER, bearing	1	
3	93306-00418	BEARING	1	
4	93306-00438	BEARING	2	
5	93106-28023	OIL SEAL	2	
6	94421-19484	RIM (2.15-19)	1	
7	3JD-25304-00	SPOKE SET, rear	1	
8	110/90 x 19	TIRE	1	BRIDGESTONE M52
9	110/90 x 19 TR4	TUBE	1	
10	94321-19157	BAND, rim	1	
11	3JE-25394-00	SPACER, bead	2	
12	2HM-25449-00	SPROCKET, driven (49T)	1	UR STD
	3JD-25451-01	SPROCKET, driven (51T)	1	UR
	39W-25444-01	SPROCKET, driven (44T)	1	AP
	39W-25445-01	SPROCKET, driven (45T)	1	AP
	39W-25446-01	SPROCKET, driven (46T)	1	AP
	39W-25448-00	SPROCKET, driven (48T)	1	AP
	39W-25450-00	SPROCKET, driven (50T)	1	AP
	39W-25452-01	SPROCKET, driven (52T)	1	AP
13	90109-08792	BOLT	6	
14	95611-08100	NUT, u	6	
15	90201-081A6	WASHER, plate	6	
16	90387-203V0	COLLAR	1	
17	90387-200Y5	COLLAR	1	

FIG. 27 REAR WHEEL



REF. NO.	PART NO.	DESCRIPTION	Q'TY	REMARKS
18	3SP-25388-00	PULLER, chain 1	2	
19	90101-08699	BOLT	2	
20	95701-08500	NUT, flange	2	
21	3JD-25381-01	AXLE, wheel	1	
22	90185-18104	NUT, self-locking	1	
23	92990-18600	WASHER	1	
24	94581-44116	CHAIN	1	
25	94681-44001	.JOINT, chain	1	
26	4V4-25367-00	COVER, hub dust	2	

FIG. 28 REAR BRAKE CALIPER

REF. NO.	PART NO.	DESCRIPTION	Q'TY	REMARKS
1	3XJ-2582W-00	DISC, rear brake 2	1	
2	90149-06272	SCREW	6	
3	3XJ-2580W-00	CALIPER ASSY, rear 2	1	
4	3SP-W0057-50	.PISTON ASSY, caliper	1	
5	3JD-W0047-50	..CALIPER SEAL KIT	1	
6	3SP-25919-51	.SUPPORT, pad	1	
7	1UY-W0048-50	.BREED SCREW KIT	1	
8	3XJ-W0046-00	.BRAKE PAD KIT, 2	1	
9	3GD-25827-00	..SHIM, caliper	1	
10	3SP-25924-51	.PIN, pad	2	
11	3XJ-25920-00	SUPT. BRKT. ASSY.	1	
12	91311-08025	BOLT	2	
13	3JD-27491-00	PROTECTOR	1	
14	92011-06012	SCREW	2	

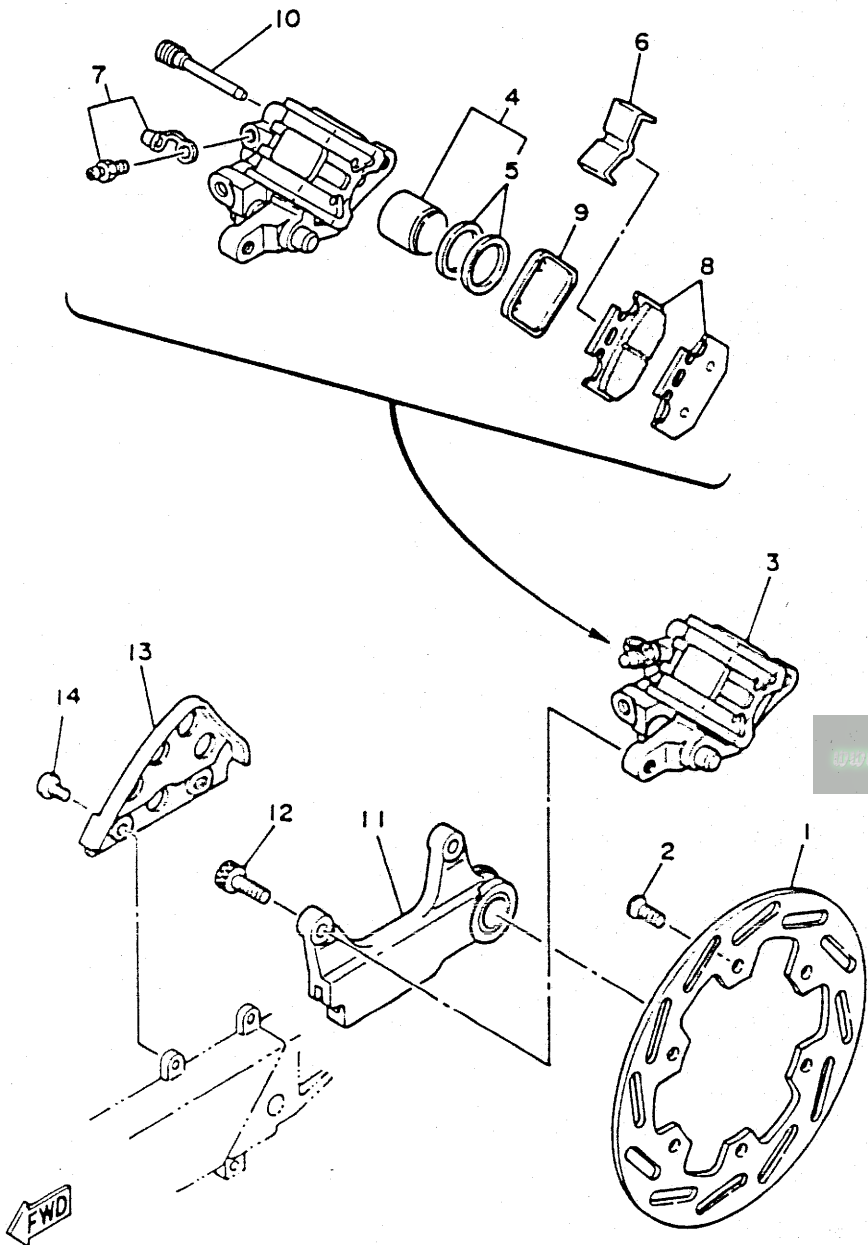
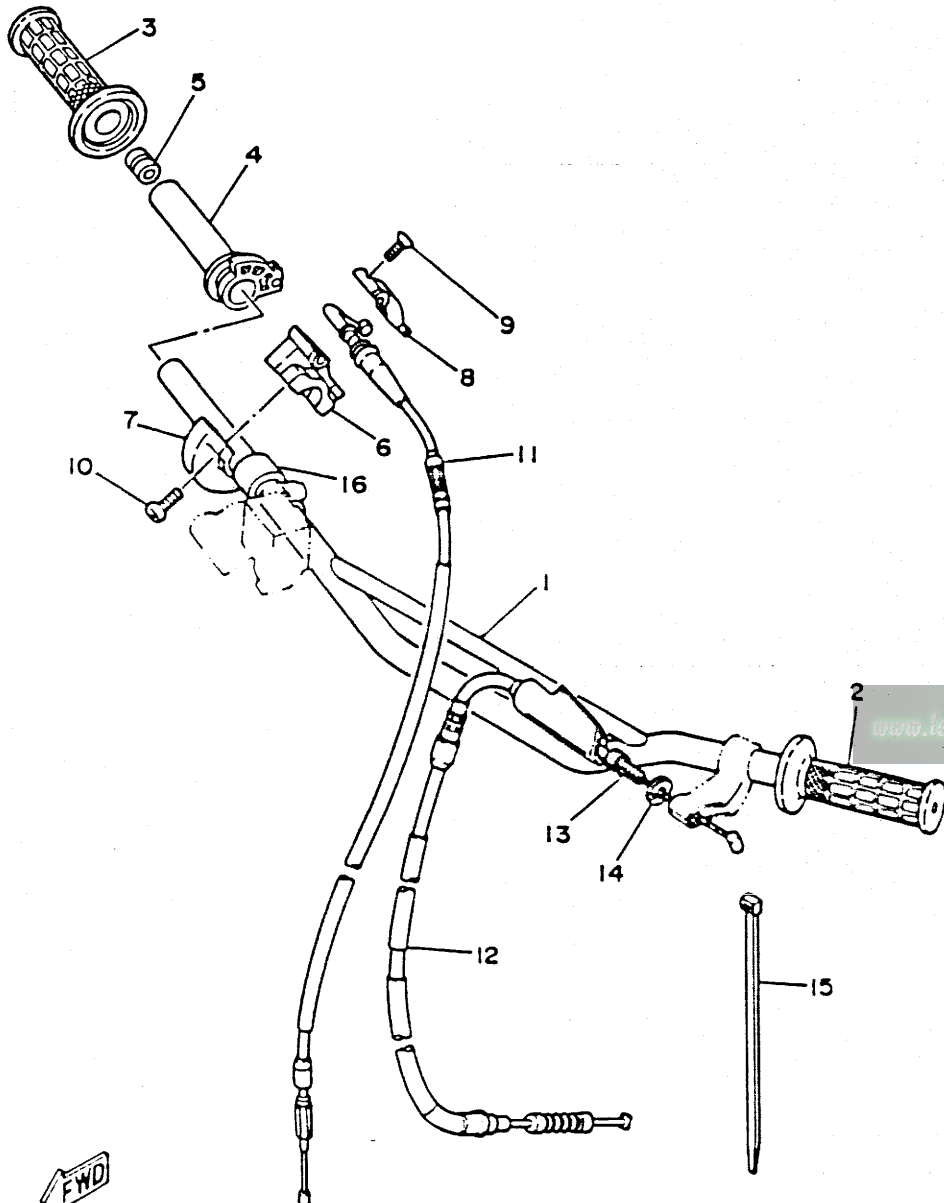


FIG. 29 STEERING HANDLE. CABLE

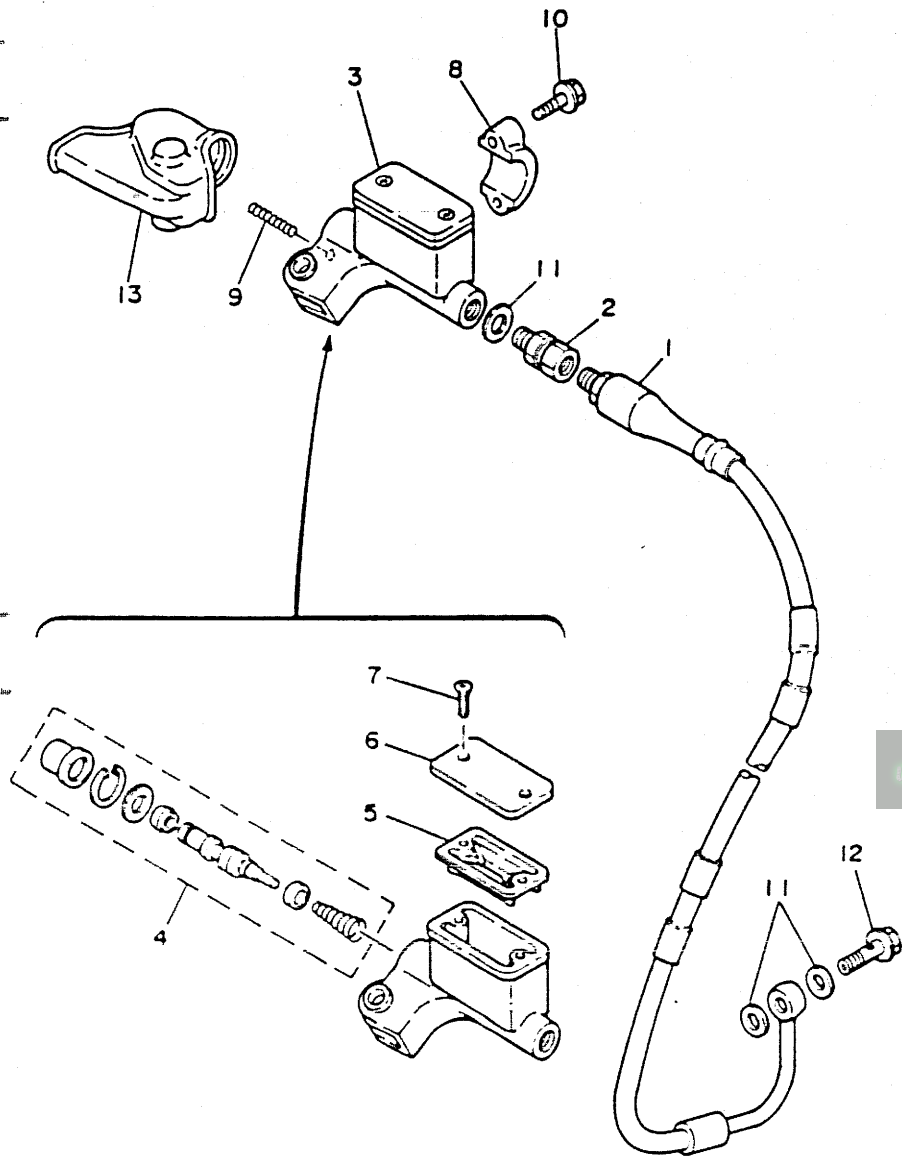
REF. NO.	PART NO.	DESCRIPTION	Q'TY	REMARKS
1	3XJ-26111-00	HANDLEBAR	1	
2	1LX-26241-01	GRIP (LEFT)	1	
3	1LX-26242-01	GRIP (RIGHT)	1	
4	23X-26243-00	TUBE, throttle guide	1	
5	688-82535-00	GROMMET	1	
6	23X-26281-00	CAP, grip upper	1	
7	431-26282-01-98	CAP, grip lower	1	LOW GLOSS BLACK
8	5X2-2628H-01	CAP, wire	1	
9	98706-04012	SCREW, flat head	2	
10	98506-05016	SCREW, pan head	2	
11	3JD-26311-00	CABLE, throttle 1	1	
12	3XX-26335-00	CABLE, clutch	1	
13	90123-08090	BOLT	1	
14	90179-08401	NUT	1	
15	90465-13154	CLAMP	1	
16	90560-22281	SPACER	1	



FWD

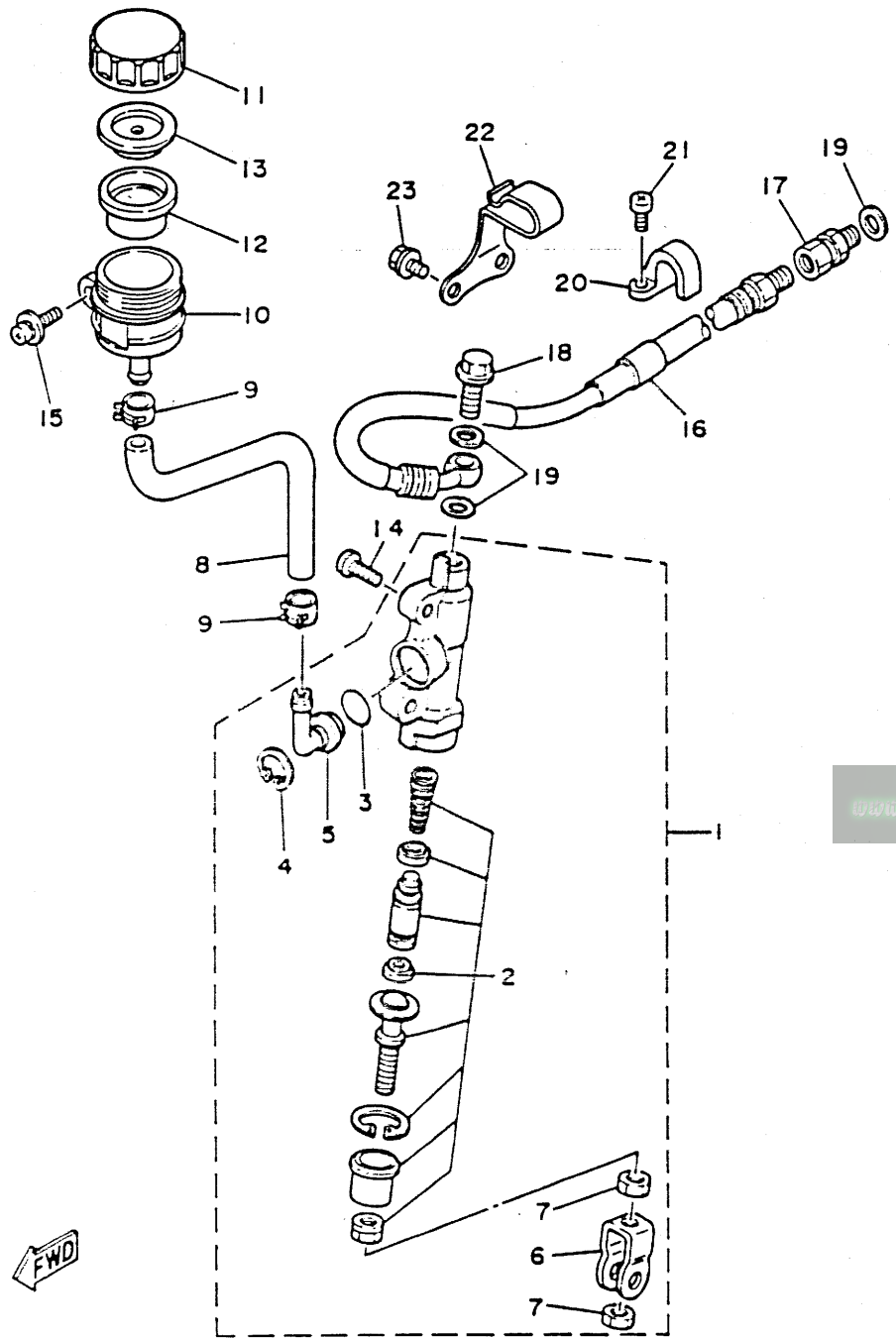
FIG. 30 FRONT MASTER CYLINDER

REF. NO.	PART NO.	DESCRIPTION	Q'TY	REMARKS
1	3SP-25872-00	HOSE, brake 1	1	
2	3LC-25885-00	JOINT	1	
3	3SP-25870-00	MASTER CYLINDER SUB ASSY	1	
4	3SP-W0041-00	.CYLINDER KIT, master	1	
5	56A-25854-00	.DIAPHRAGM, reservoir	1	
6	2VN-25852-00	.CAP, reservoir	1	
7	98706-04012	.SCREW, flat head	2	
8	56A-25867-00	BRACKET, master cylinder	1	
9	90501-061G2	SPRING, compression	1	
10	95026-06025	BOLT, flange	2	
11	90201-10118	WASHER, plate	3	
12	90401-10034	BOLT, union	1	
13	56A-26372-01	COVER, handle lever 1	1	



FWD

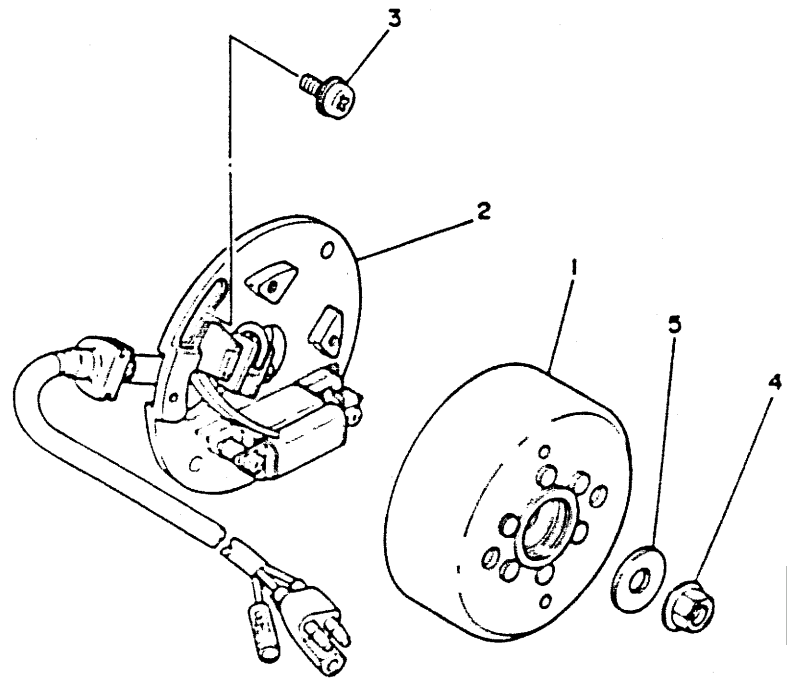
FIG. 32 REAR MASTER CYLINDER



REF. NO.	PART NO.	DESCRIPTION	Q'TY	REMARKS
1	3SP-2583V-00	RR. MASTER CYLINDER ASSY.	1	
2	1FK-W0042-50	.CYLINDER KIT, master	1	
3	93210-15620	.O-RING	1	
4	2YN-25866-00	.CIRCLIP	1	
5	2YN-2582A-50	.JOINT	1	
6	3SP-27222-00	.JOINT	1	
7	95303-08600	.NUT	2	
8	3JD-25895-00	HOSE, reservoir	1	
9	90467-11044	CLIP	2	
10	2YN-25894-00	TANK, reservoir	1	
11	2YN-25852-50	CAP, reservoir	1	
12	2YN-25854-00	DIAPHRAGM, reservoir	1	
13	2YN-25855-00	BUSH, diaphragm	1	
14	92013-06016	BOLT	2	
15	90159-06056	SCREW, with washer	1	
16	3SP-25873-00	HOSE, brake 2	1	
17	3LC-25885-00	JOINT	1	
18	90401-10034	BOLT, union	1	
19	90201-10118	WASHER, plate	3	
20	2YM-25876-00	HOLDER, brake hose 2	1	
21	97780-50510	SCREW, tapping	2	
22	90462-12195	CLAMP	1	
23	95023-06008	BOLT	2	

FIG. 33 GENERATOR

REF. NO.	PART NO.	DESCRIPTION	Q'TY	REMARKS
1	3SP-85550-10	ROTOR ASSY	1	
2	3SP-85560-11	BASE ASSY	1	
3	90149-06011	SCREW	2	
4	90179-10394	NUT	1	
5	90201-10774	WASHER, plate	1	

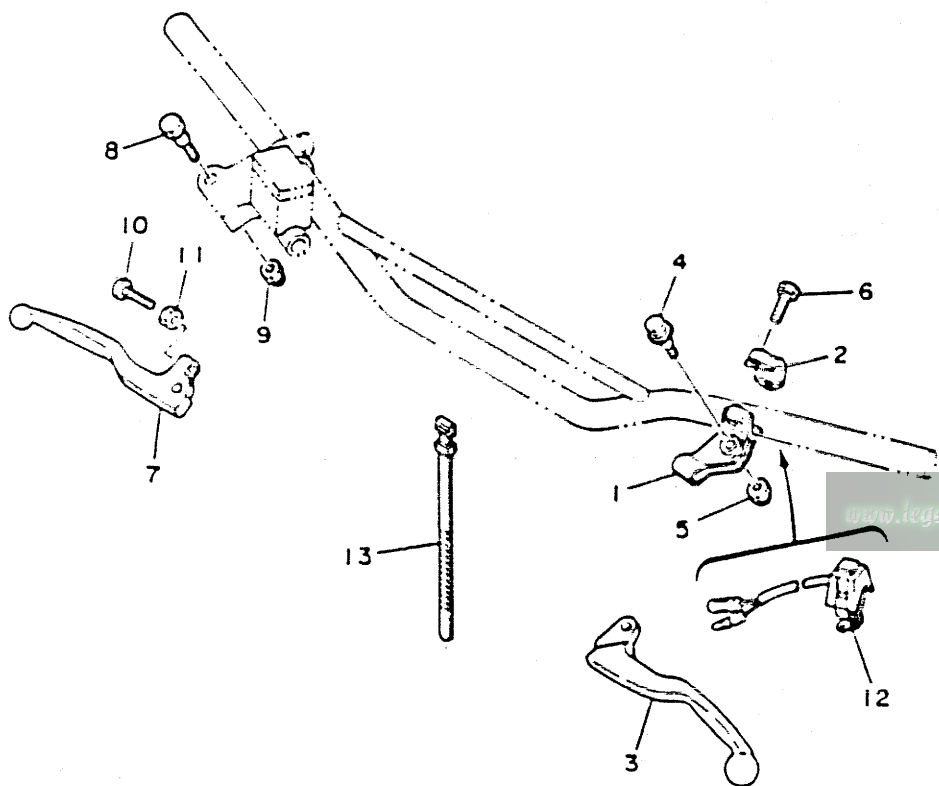


www.legends-yamaha-enduros.com

FWD

FIG. 34 HANDLE SWITCH. LEVER

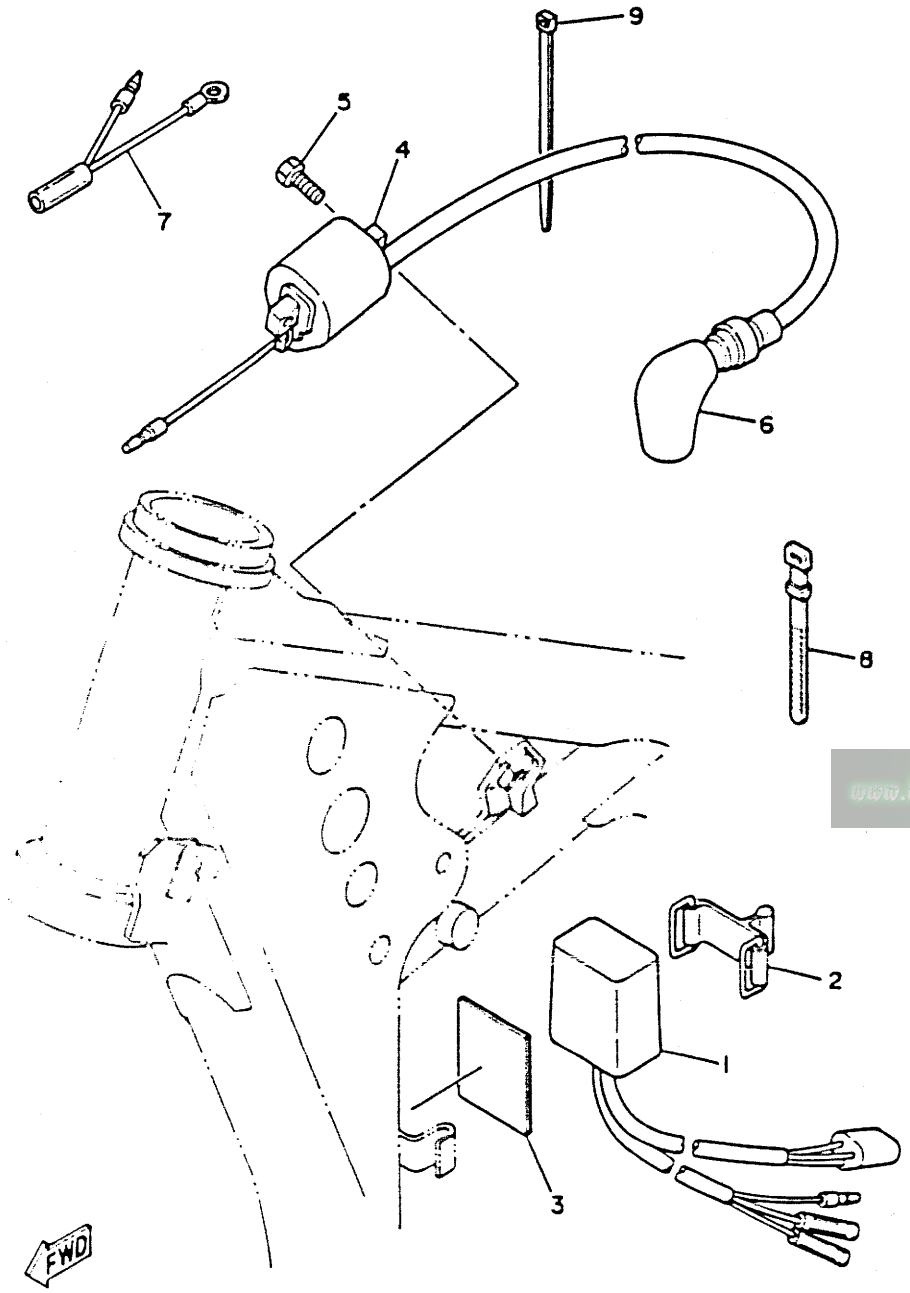
REF. NO.	PART NO.	DESCRIPTION	Q'TY	REMARKS
1	38V-82911-00	HOLDER, lever 1	1	
2	38V-82913-00	HOLDER, lever lower 1	1	
3	23X-83912-00	LEVER 1	1	
4	90109-06799	BOLT	1	
5	95616-06100	NUT, u	1	
6	97006-05016	BOLT	2	
7	3SP-83922-00	LEVER 2	1	
8	90109-06577	BOLT	1	
9	95616-06100	NUT, u	1	
10	90149-06153	SCREW	1	
11	90170-06010	NUT	1	
12	23X-83976-00	SWITCH, handle	1	
13	437-83936-01	BAND, switch cord	2	



FWD

FIG. 35 ELECTRICAL 1

REF. NO.	PART NO.	DESCRIPTION	Q'TY	REMARKS
1	3RB-85540-11	C.D.I. UNIT ASSY	1	
2	5H9-21376-00	BAND, tool	1	
3	3RB-85547-01	DAMPER	1	
4	3SR-82310-10	IGNITION COIL ASSY	1	
5	97021-06016	BOLT	2	
6	3R0-82370-20	PLUG CAP ASSY	1	UR
	2TY-82370-00	PLUG CAP ASSY	1	UR WITH NOISE SUPPRESSOR
7	5X1-82519-01	WIRE, earth lead	1	
8	25G-83936-01	BAND, switch cord	1	
9	12R-82591-00	BAND	1	

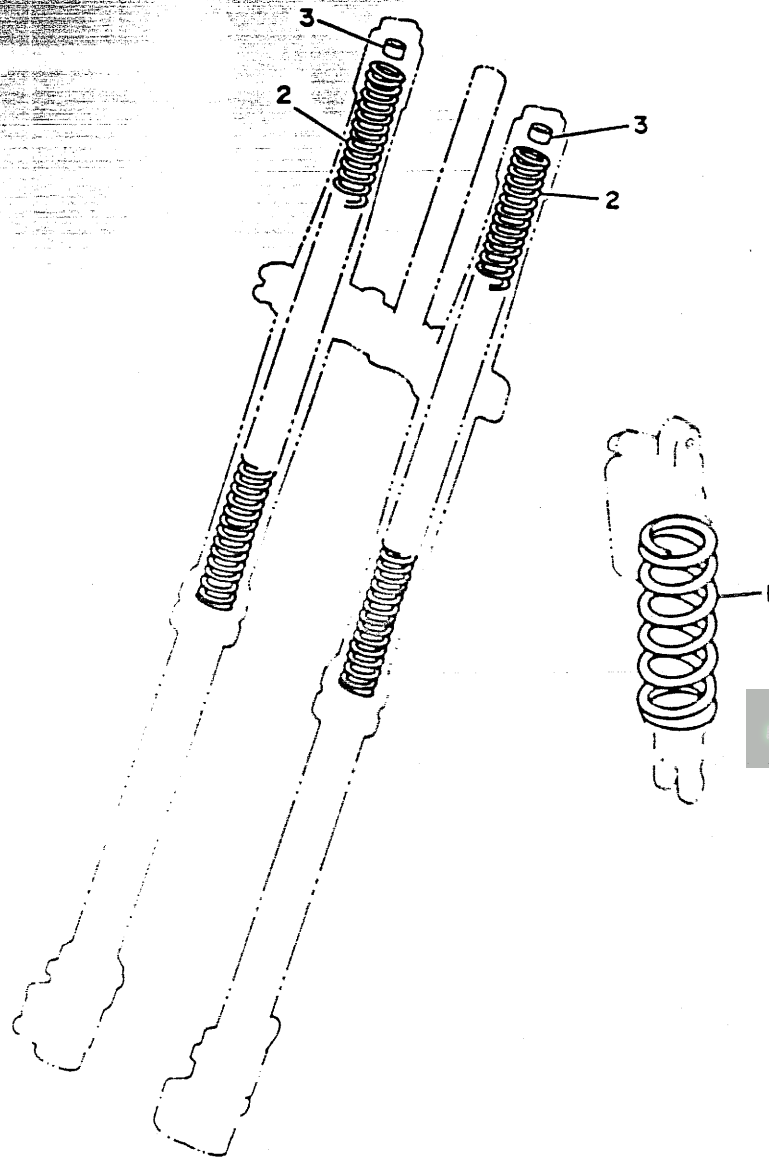


www.legends-yamaha-enduros.com

FWD

FIG. 36 ALTERNATE (CHASSIS)

REF. NO.	PART NO.	DESCRIPTION	Q'TY	REMARKS
1	3XJ-22212-10	SPRING (K=4.8)	1	AP (SOFT)
	3XJ-22212-30	SPRING (K=5.2)	1	AP (HARD)
2	3XJ-23141-30	SPRING, front fork (K=0.380)	2	AP (SOFT)
	3XJ-23141-70	SPRING, front fork (K=0.420)	2	AP (HARD)
3	3XJ-23364-L0	COLLAR 2	1	UN



FWD